



INSTALLATION, OPERATION & MAINTENANCE INSTRUCTIONS

1455 Kleppe Lane ♦ Sparks, NV 89431-6467 ♦ (775) 359-4712 ♦ Fax (775) 359-7424
E-mail: haws@hawsco.com ♦ website: www.hawsco.com

No. 2077365(8)

Model 3377FR Drinking Fountain

NOTE TO INSTALLER: Please leave this information with the Maintenance Department.

LIMITED WARRANTY

HAWS warrants that this specific product is guaranteed against defective material or poor workmanship for a period of **one year from date of shipment**. HAWS liability under this warranty shall be discharged by furnishing without charge F.O.B. HAWS Factory any goods, or part thereof, which shall appear to the Company upon inspection to be of defective material or not of first class workmanship, provided that claim is made in writing to Haws within a reasonable period after receipt of the product. Where claims for defects are made, the defective part or parts shall be delivered to the Company, prepaid, for inspection. HAWS will not be liable for the cost of repairs, alterations or replacements, or for any expense connected therewith made by the owner or his agents, except upon written authority from HAWS, Sparks, Nevada. HAWS will not be liable for any damages caused by defective materials or poor workmanship, except for replacements, as provided above. Buyer agrees that HAWS shall not be liable for general, special, or consequential damages claimed to arise under the contract of sale. The drinking fountain manufactured by HAWS is warranted to function if installation and maintenance instructions provided are adhered to. The units also must be used for the purpose for which they were intended.

**NO OTHER WARRANTIES EXPRESSED OR IMPLIED ARE AUTHORIZED,
PROVIDED OR GIVEN BY HAWS.**

**SHOULD YOU EXPERIENCE DIFFICULTY WITH THE INSTALLATION OF THIS
MODEL PLEASE CALL:**

TECHNICAL SUPPORT: 1-800-766-5612

FOR CUSTOMER SERVICE: 1-888-640-4297

RECOMMENDED TOOLS: Hack saw, pipe joint sealant, screwdriver, level, 12" adjustable wrench, 10" pipe wrench, 3/32" and 5/32" hex key wrench, 9/16", 1/2", 7/16" socket wrench or open end wrench.

LOCATION OF UNIT: The Model 3377FR Drinking Fountain is a wheelchair accessible drinking water facility. The height dimensions shown, meet current ADA requirements. When installing this unit, local, state or federal codes should be adhered to. If height other than shown is required, then dimensions must be adjusted accordingly.

SUPPLY LINE: The minimum recommended line size is 1/2"IPS. Flowing pressure is 30-90 psi (2-6 ATM) for Models 3377FR. If used with Model 6519FR, the flowing pressure is 45-90 psi (3-6 ATM). Where sediment or mineral content is a problem, an inlet filter is recommended.

PLUMBING CONNECTIONS: Supply inlet is 1/2" IPS male. Waste outlet is 1-1/4" Slip Joint.

MAINTENANCE: Periodically clean the strainer. Refer to 6518FR Operation and Maintenance Sheet for additional information.

TROUBLESHOOTING 3377FR

PROBLEM

REPAIR CHECKLIST

Insufficient bubbler flow.

- 1a. Check that inlet screwdriver stop valve is wide open (customer supplied). Turn counterclockwise.
- b. Verify minimum 30 psi flowing supply pressure.
- c. Adjust valve to increase flow. See 6518FR Valve Manual.
- d. Clean screens (inside nozzle body). Unscrew nozzle insert and very gently activate water supply to pop out qty. 3 screens (be careful not to lose screens). Remove any debris clogging the screen openings and place back into nozzle body. Reassemble nozzle insert.

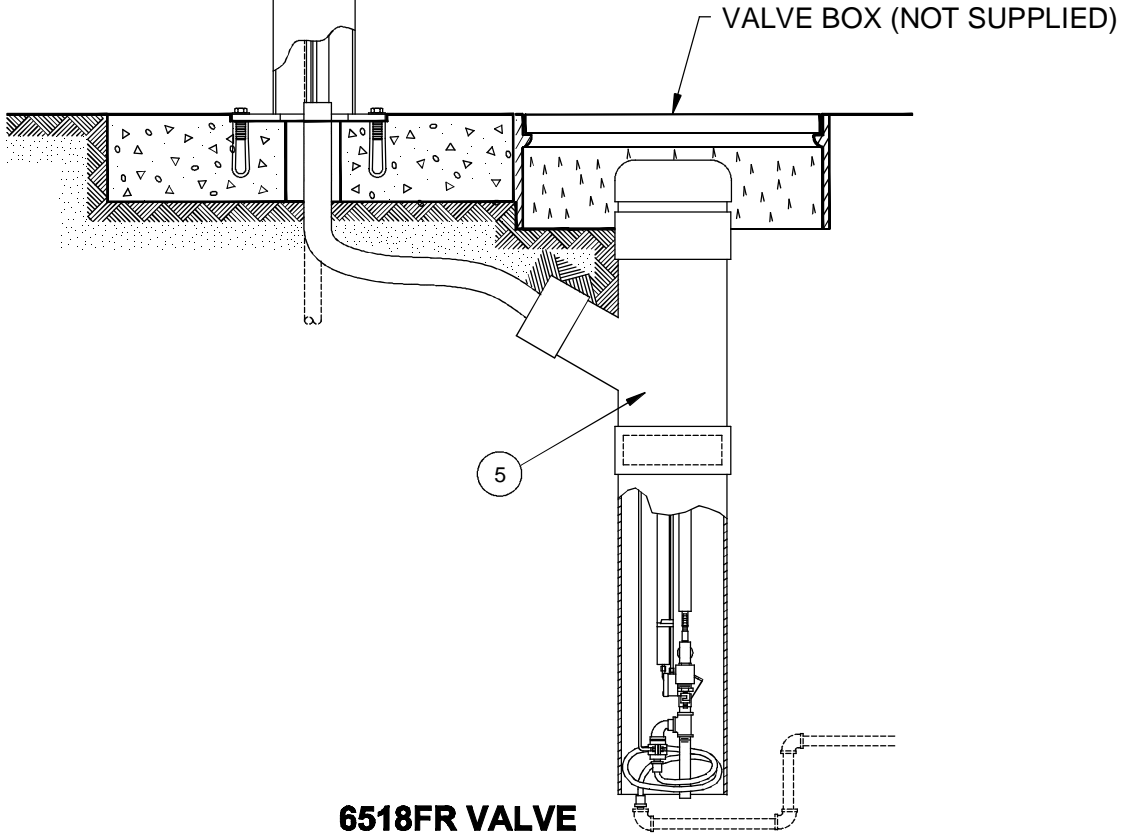
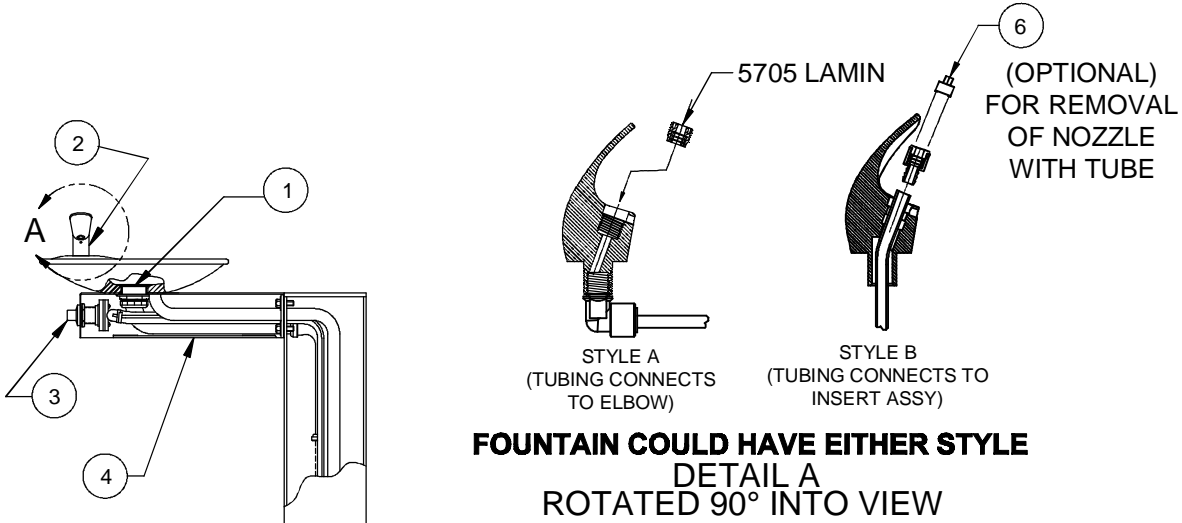
General Notes:


Before tightening nut and ferrule assembly, push tubing into fitting until it bottoms out to ensure correct engagement with O-Ring.

For more information about Haws products, see our website: www.hawsc.com

PARTS BREAKDOWN

ITEM	DESCRIPTION	PART NO.
1	STRAINER ASSY	6463
2	BUBBLER HEAD (STYLE A OR STYLE B)	5705FR
3	PUSH BUTTON ASSY	5881PBA
4	BOTTOM PLATE	PBM1000
5	VALVE ASSY.	6518FR
6	DRIVER, NOZZLE .25 HEX	0002082253



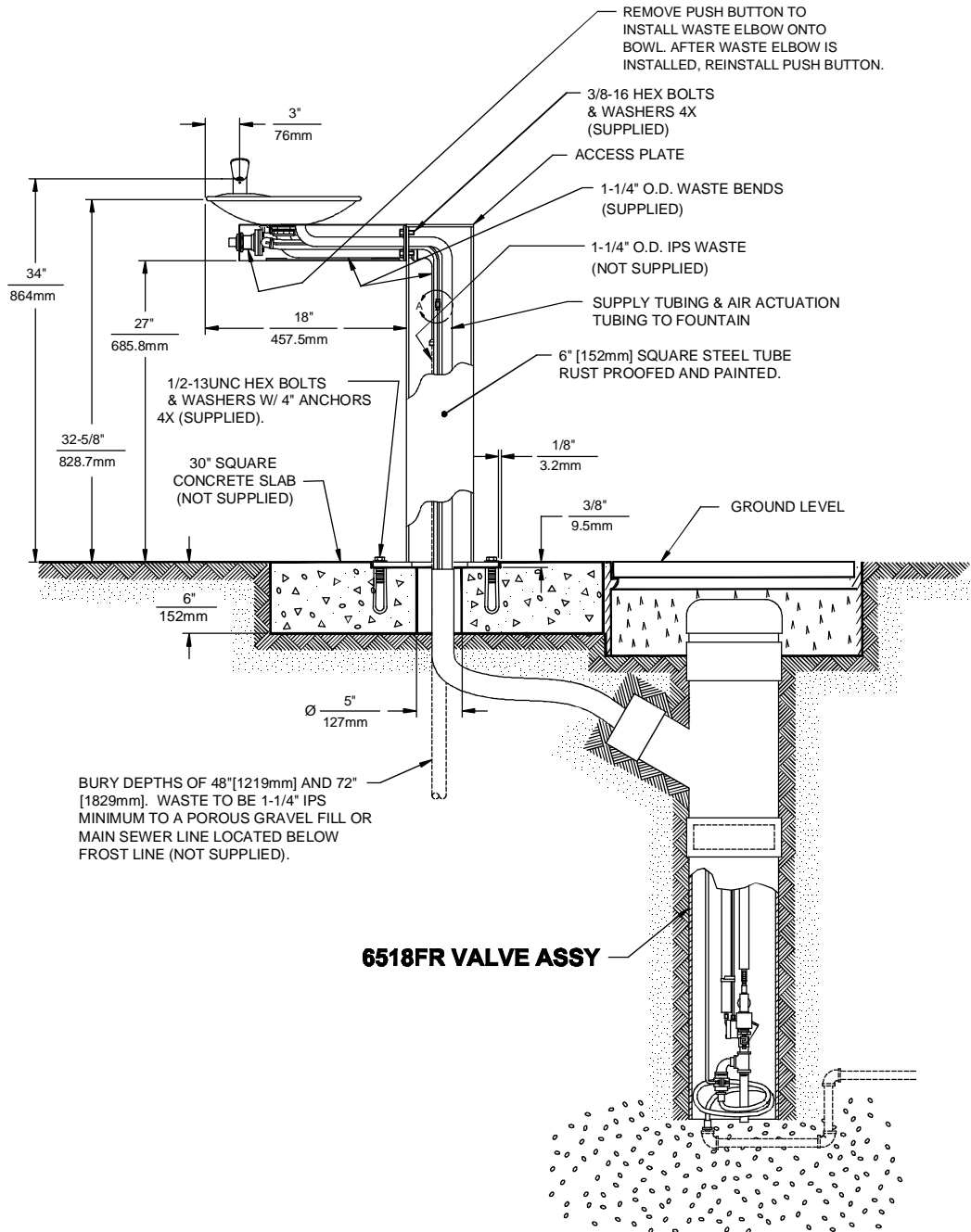
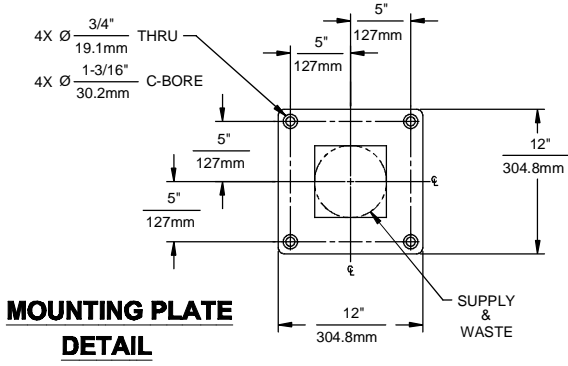


Haws[®]

1455 KLEPPE LANE
 SPARKS, NEVADA 89431
 (775) 359-4712 FAX (775) 359-7424
 E-MAIL: HAWS@HAWS.CO.COM
 WEBSITE: WWW.HAWS.CO.COM

ECN NO. REVISED PER BY ECN: 4535 JDM	MODEL(S) 3377FR	PART NUMBER 0002077365	
DRAWN RTM DATE 10/20/98 CHKD VWG		REVISION 8	
APPROVED FV DATE 04/21/15	SCALE: 1:14	DRAWING TYPE: PARTS BREAKDOWN	SIZE: A SHEET 1 OF 1

WHEN ORDERING PARTS PLEASE SPECIFY MODEL NUMBER.



		MODEL(S)	
CON. NO.	REVISED PER BY:	3377FR	
DRAWING	DATE:	INSTALLATION	
RTM	CHKD.	SIZE: A	
APPROVED:	DATE:	SHEET 1 OF 1	
FW	VWC	8	
SCALE: 1:16	DRAWING TYPE:	PART NUMBER	
04/21/15	3377FR	0002077366 D	
1455 KLEPPE LANE		REVISION	
SPARKS, NEVADA 89431		8	
(775) 359-4712 FAX (775) 359-7424			
E-MAIL: HAWS@HAWSCO.COM			
WEBSITE: WWW.HAWSCO.COM			