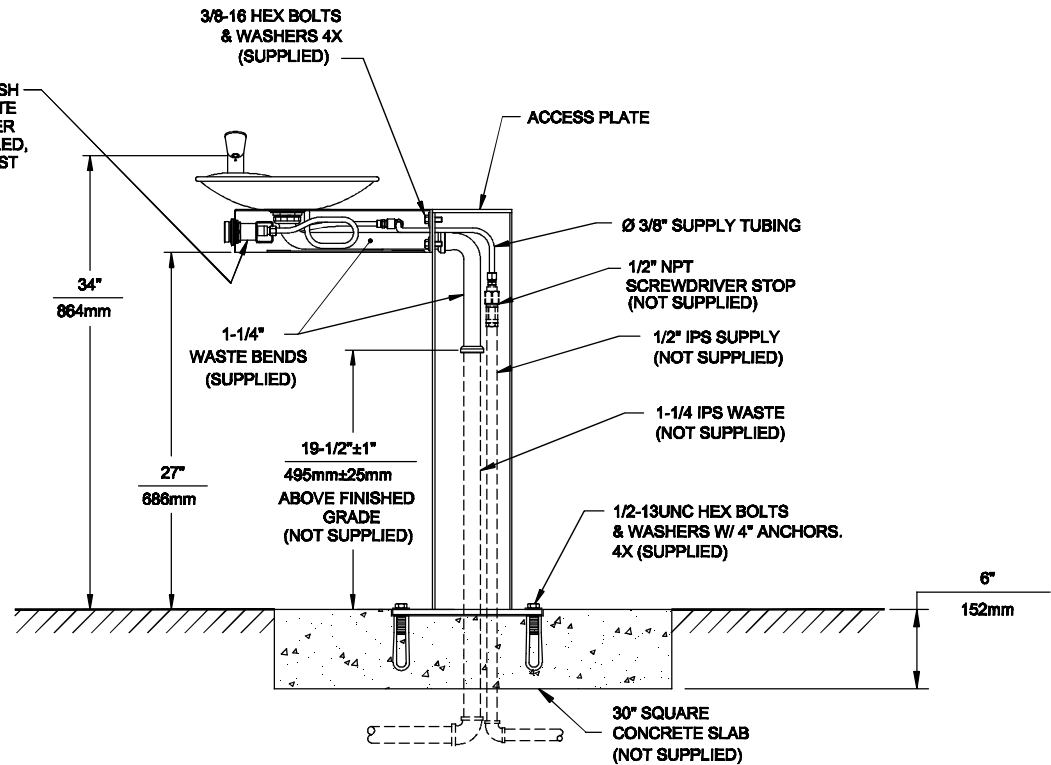


REMOVE VALVE FROM PUSH BUTTON TO INSTALL WASTE ELBOW ONTO BOWL. AFTER WASTE ELBOW IS INSTALLED, REINSTALL VALVE & ADJUST FLOW



NOTES:

- 1 REFER TO 5874SS OPERATION AND MAINTENANCE MANUAL FOR PUSH BUTTON AND VALVE INSTALLATION/MAINTENANCE INSTRUCTIONS.



1455 KLEPPE LANE
 SPARKS, NEVADA 89431
 (775) 359-4712 FAX (775) 359-7424
 E-MAIL: HAWS@HAWSO.COM
 WEBSITE: WWW.HAWSO.COM

ECN NO. REVISED PER BY: ECN: 4828 HM	MODEL(S)	PART NUMBER
DATE: 05/97	3377/3377G	0002077364.D
APPROVED: DATE:	SCALE: 1:16	DRAWING NO. REV: 13066A00 12
	DRAWING TYPE: INSTALLATION	SIZE: A SHEET 1 OF 1