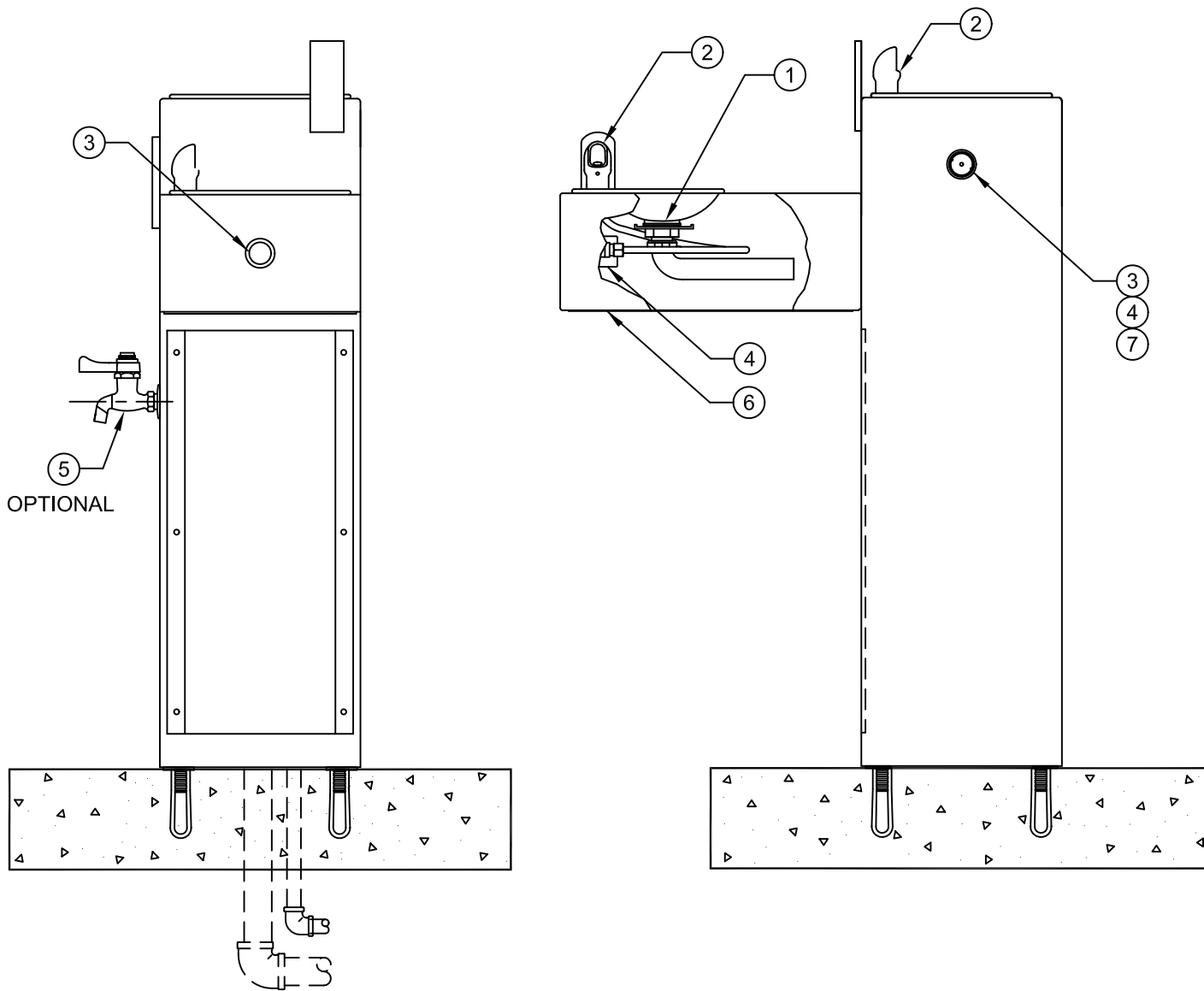


PARTS BREAKDOWN

ITEM	DESCRIPTION	PART NO.
1	STRAINER ASSY	6466
2	BUBBLER HEAD	0002848703
3	PUSH BTN ASS'Y	PBA7
4	CARTRIDGE HF	0001632151
5	BIB FAUCET (OPTIONAL)	6250LF
6	ACCESS PLATE	PBM1025
7	GASKET W/SCREEN	-



 Haws®		1455 KLEPPE LANE SPARKS, NEVADA 89431 (775) 359-4712 FAX (755) 359-7424 E-MAIL: HAWS@HAWS.CO.COM WEBSITE: WWW.HAWS.CO.COM		
		ECN NO. REVISED PER BY ECN: 4846 HM	MODEL(S) 3300/3300G	PART NUMBER 0002077341
DRAWN D. OLLOM	DATE 11/25/95	CHKD DATE	DRAWING NO. 12813C00	REV 18
WHEN ORDERING PARTS PLEASE SPECIFY MODEL NUMBER.		SCALE: 1:4	DRAWING TYPE: PARTS BREAKDOWN	SIZE: A SHEET 1 OF 1