



INSTALLATION, OPERATION & MAINTENANCE INSTRUCTIONS

1455 Kleppe Lane ♦ Sparks, NV 89431-6467 ♦ (775) 359-4712 ♦ Fax (775) 359-7424
E-mail: haws@hawsco.com ♦ website: www.hawsco.com

No. 2077341(18)

Model 3300/3300G Drinking Fountain

NOTE TO INSTALLER: Please leave this information with the Maintenance Department.

LIMITED WARRANTY

HAWS warrants that this specific product is guaranteed against defective material or poor workmanship for a period of **one year from date of shipment**. HAWS liability under this warranty shall be discharged by furnishing without charge F.O.B. HAWS Factory any goods, or part thereof, which shall appear to the Company upon inspection to be of defective material or not of first class workmanship, provided that claim is made in writing to Haws within a reasonable period after receipt of the product. Where claims for defects are made, the defective part or parts shall be delivered to the Company, prepaid, for inspection. HAWS will not be liable for the cost of repairs, alterations or replacements, or for any expense connected therewith made by the owner or his agents, except upon written authority from HAWS, Sparks, Nevada. HAWS will not be liable for any damages caused by defective materials or poor workmanship, except for replacements, as provided above. Buyer agrees that HAWS shall not be liable for general, special, or consequential damages claimed to arise under the contract of sale. The drinking fountain manufactured by HAWS is warranted to function if installation and maintenance instructions provided are adhered to. The units also must be used for the purpose for which they were intended.

**NO OTHER WARRANTIES EXPRESSED OR IMPLIED ARE AUTHORIZED,
PROVIDED OR GIVEN BY HAWS.**

**SHOULD YOU EXPERIENCE DIFFICULTY WITH THE INSTALLATION OF THIS
MODEL PLEASE CALL:**

TECHNICAL SUPPORT: 1-800-766-5612

FOR CUSTOMER SERVICE: 1-888-640-4297

RECOMMENDED TOOLS: Hack saw, pipe joint sealant, screwdriver, level, 12" adjustable wrench, 10" pipe wrench, 5/64" hex key wrench, 9/16", 1/2", 7/16" socket wrench or open end wrench.

LOCATION OF UNIT: The Model 3300/3300G Drinking Fountain is a wheelchair accessible drinking water facility. The height dimensions shown, meet current ADA requirements. When installing this unit, local, state or federal codes should be adhered to. If height other than shown is required, then dimensions must be adjusted accordingly.

SUPPLY LINE: The minimum recommended line size is 1/2" IPS with 30-90 psi (2-6 ATM) flowing pressure. Where sediment or mineral content is a problem, an inlet filter is recommended.

PLUMBING CONNECTIONS: Inlet is 1/4" IPS male fitting. Waste outlet is female 1-1/2" Slip PVC.

MAINTENANCE: Periodically clean the strainer. Refer to 5874SS Valve Manual for information.

TROUBLESHOOTING

PROBLEM	REPAIR CHECKLIST
1. Insufficient bubbler flow.	1a. Check that inlet screwdriver stop valve is wide open. Turn counterclockwise. b. Verify minimum 30psi flowing supply pressure. c. Clean strainer. See 5874SS Valve Manual. d. Adjust valve to increase flow. Use front adjust screw or see 5874SS Valve Manual.

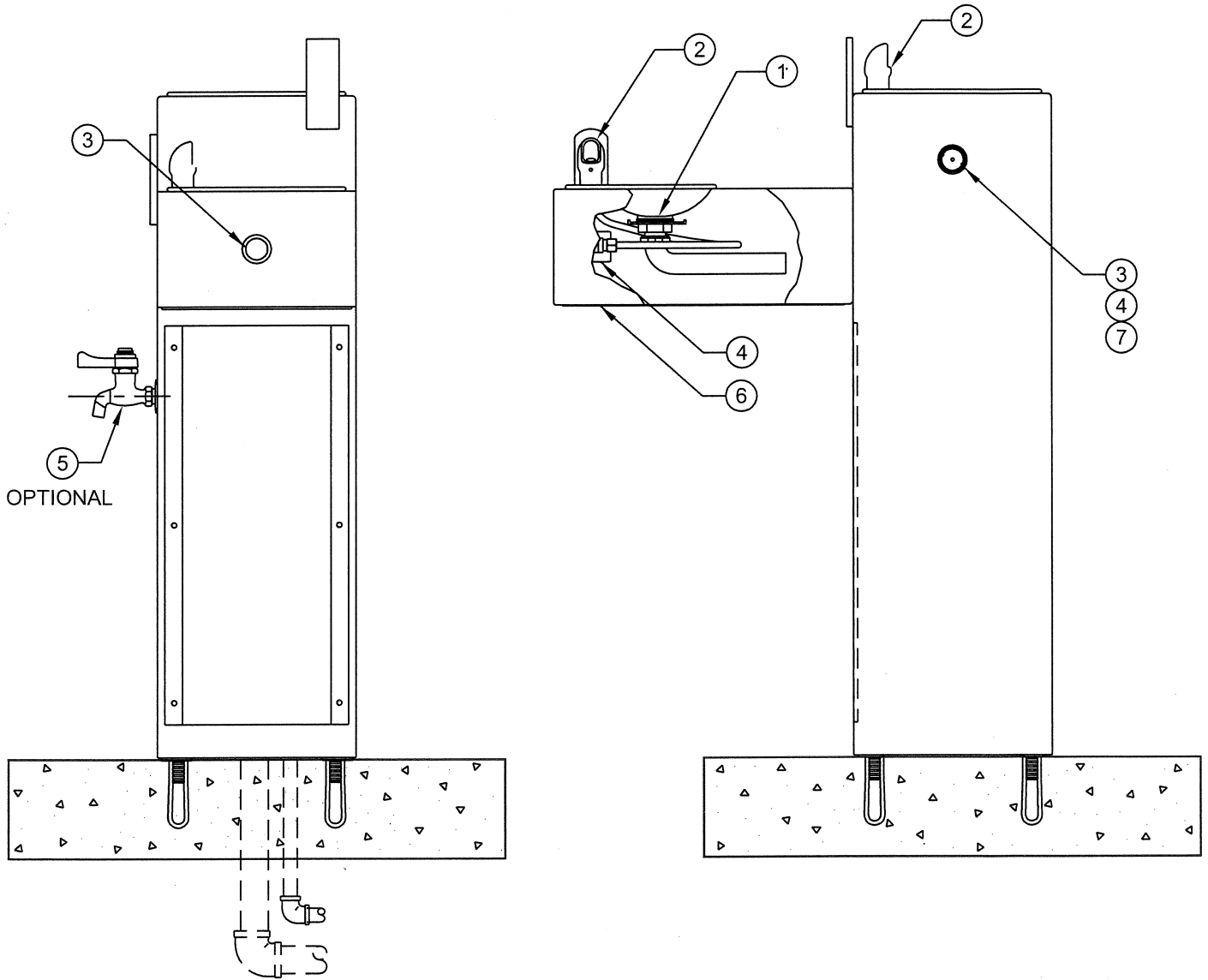
General Notes:

Before tightening nut and ferrule assembly, push tubing into fitting until it bottoms out to ensure correct engagement with O-Ring.


For more information about Haws products, see our website: www.hawesco.com

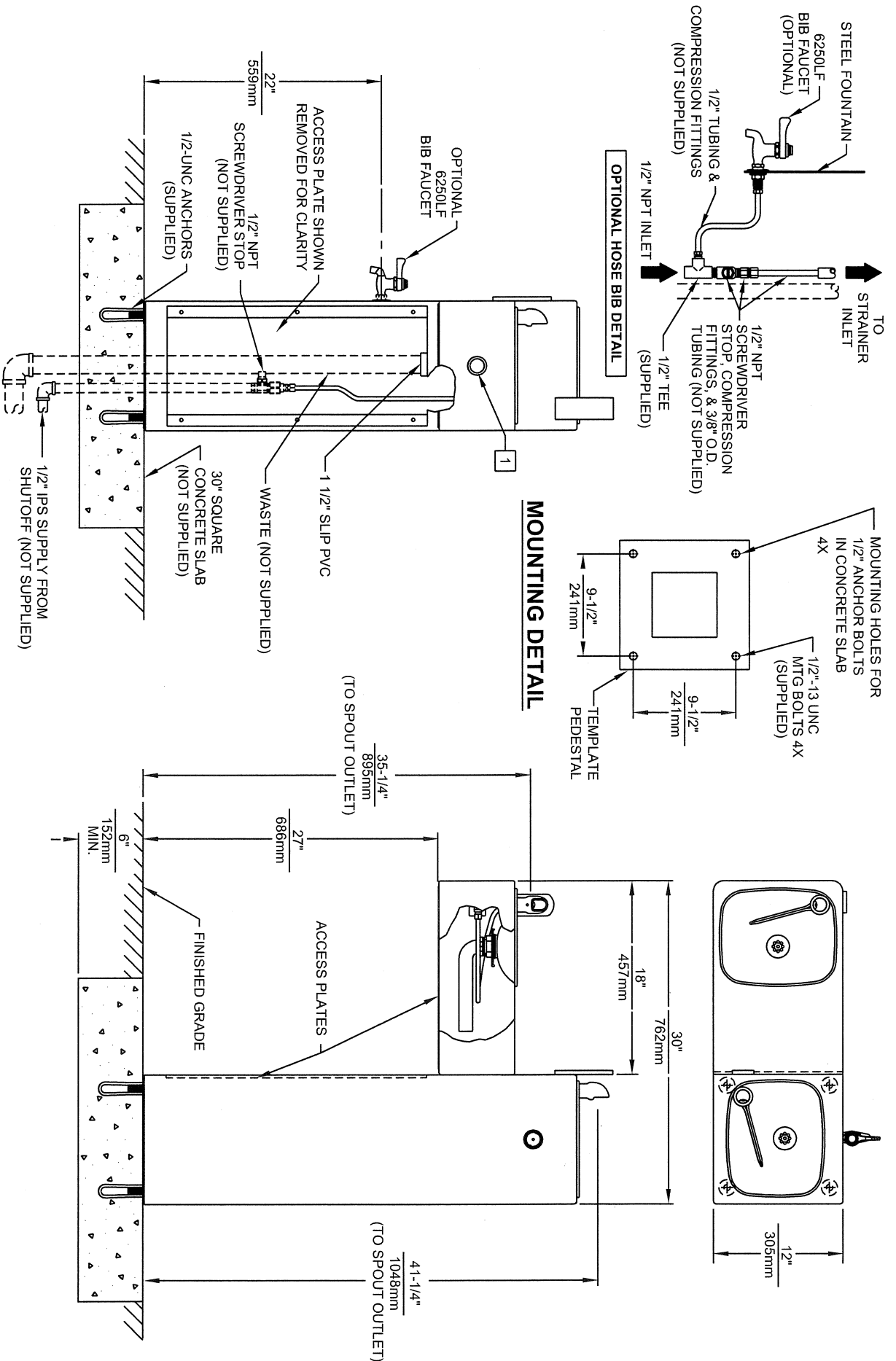
PARTS BREAKDOWN

ITEM	DESCRIPTION	PART NO.
1	STRAINER ASSY	6466
2	BUBBLER HEAD	0002848703
3	PUSH BTN ASS'Y	PBA7
4	CARTRIDGE HF	0001632151
5	BIB FAUCET (OPTIONAL)	6250LF
6	ACCESS PLATE	PBM1025
7	GASKET W/SCREEN	-



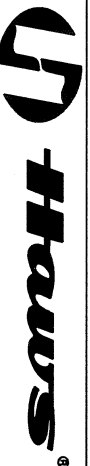
WHEN ORDERING PARTS PLEASE SPECIFY MODEL NUMBER.

 Haws [®]		1455 KLEPPE LANE SPARKS, NEVADA 89431 (775) 359-4712 FAX (775) 359-7424 E-MAIL: HAWS@HAWS.CO.COM WEBSITE: WWW.HAWS.CO.COM	
		ECN NO. REVISED PER BY ECN: 4646 HM	MODEL(S) 3300/3300G
DRAWN D. OLLOM	DATE 11/26/95	CHECKED [Signature]	DRAWING NO. 12813C00
APPROVED [Signature]	DATE 7/1/01	SCALE: 1:4 DRAWING TYPE: PARTS BREAKDOWN	REV 18
		SIZE: A	SHEET 1 OF 1



NOTES:

- 1 REFER TO 6874SS OPERATION AND MAINTENANCE MANUAL FOR PUSH BUTTON AND VALVE INSTALLATION/MAINTENANCE INSTRUCTIONS. (NOTE: THIS FOUNTAIN UTILIZES A HIGH FLOW CARTRIDGE TO ENSURE PROPER WATER FLOW).



1455 KLEPPE LANE
 SPARKS, NEVADA 89431
 (775) 359-4712 FAX (775) 359-7424
 E-MAIL: HAWES@HAWESCO.COM
 WEBSITE: WWW.HAWESCO.COM

ENGINEER	REVISION	DATE	BY	MODEL(S)
DRAWN	DATE	CHKD		
APPROVED	DATE			
SCALE: 1:13 DRAWING TYPE: INSTALLATION				
PART NUMBER: 3300/3300G				
DRAWING NO: 10322C00				
REV: 18				