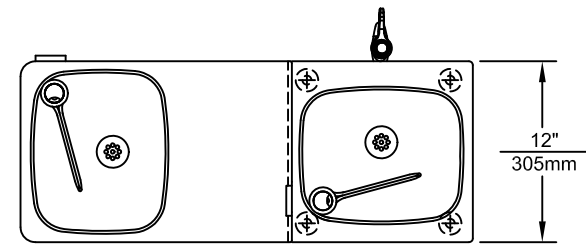
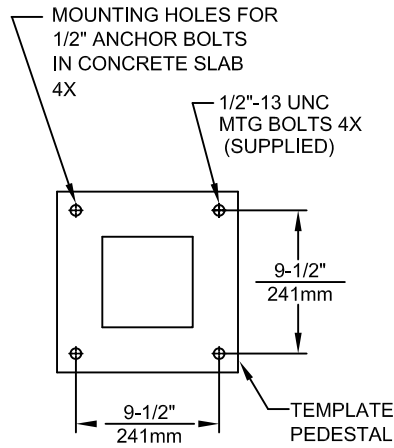
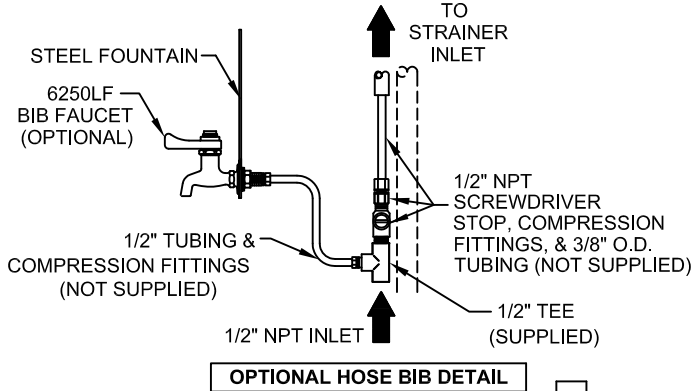
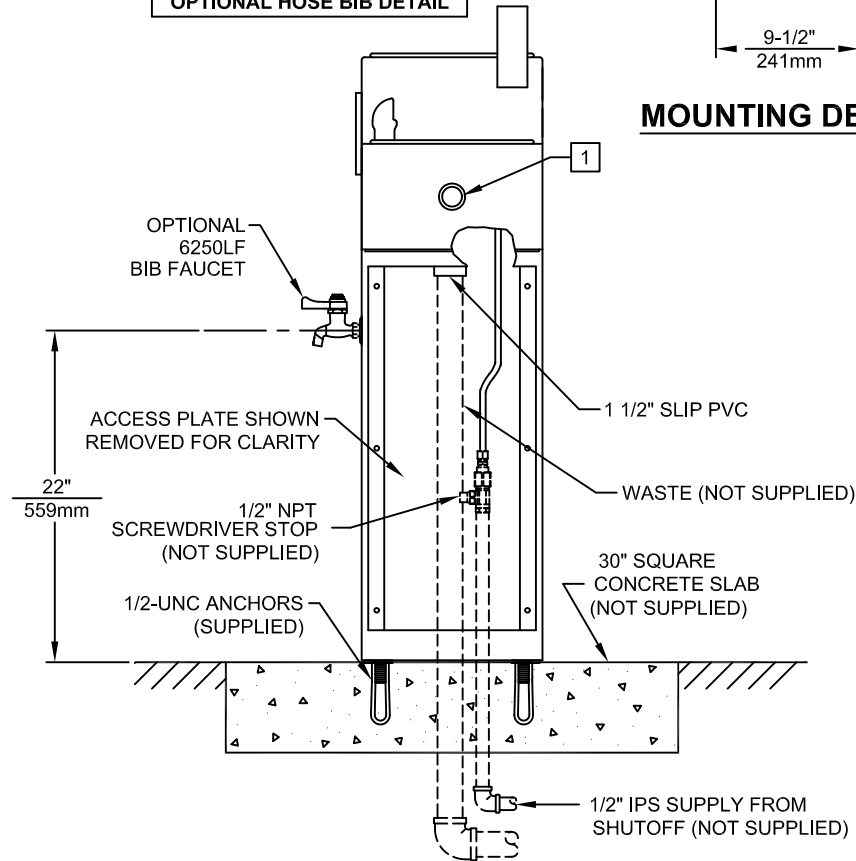
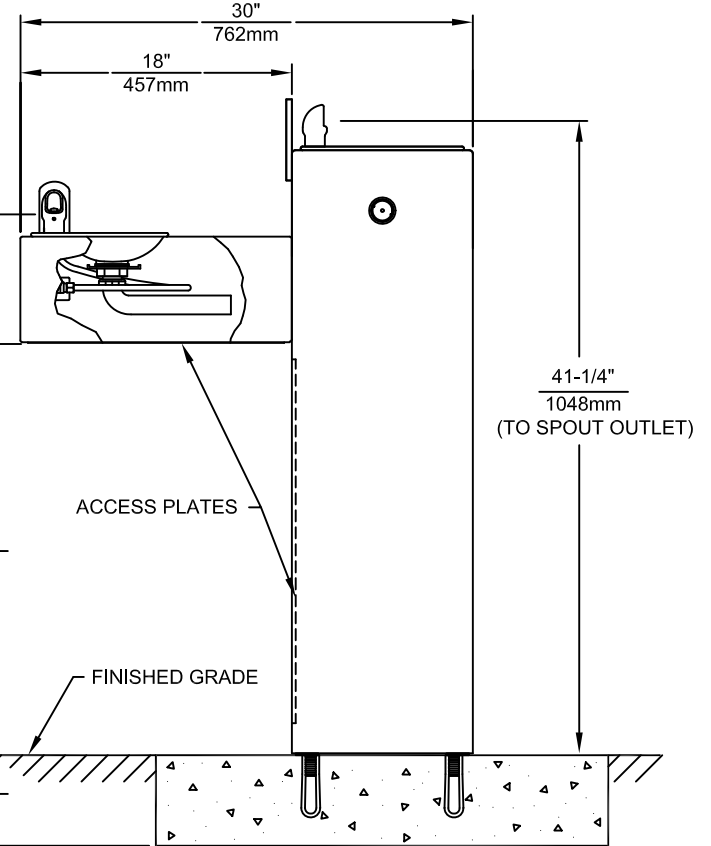


THIS DOCUMENT IS TRUE AND CORRECT AT TIME OF PUBLICATION. CONTINUED PRODUCT IMPROVEMENTS MAKE SPECIFICATIONS AND MEASUREMENTS SUBJECT TO CHANGE WITHOUT NOTICE.



**MOUNTING DETAIL**



**NOTES:**

- 1 REFER TO 5874SS OPERATION AND MAINTENANCE MANUAL FOR PUSH BUTTON AND VALVE INSTALLATION/MAINTENANCE INSTRUCTIONS. (NOTE: THIS FOUNTAIN UTILIZES A HIGH FLOW CARTRIDGE TO ENSURE PROPER WATER FLOW).

		1455 KLEPPE LANE SPARKS, NEVADA 89431 (775) 359-4712 FAX (775) 359-7424 E-MAIL: HAWS@HAWS.CO.COM WEBSITE: WWW.HAWS.CO.COM	
		ECN NO. REVISED PER BY: ECN: 4646 HM	MODEL(S) 3300/3300G
DRAWN: C.J.L. DATE: 09/92	CHKD.:	DRAWING NO. 10322C00	REV 18
APPROVED:	DATE:	SCALE: 1:13   DRAWING TYPE: INSTALLATION	SIZE: A SHEET 1 OF 1