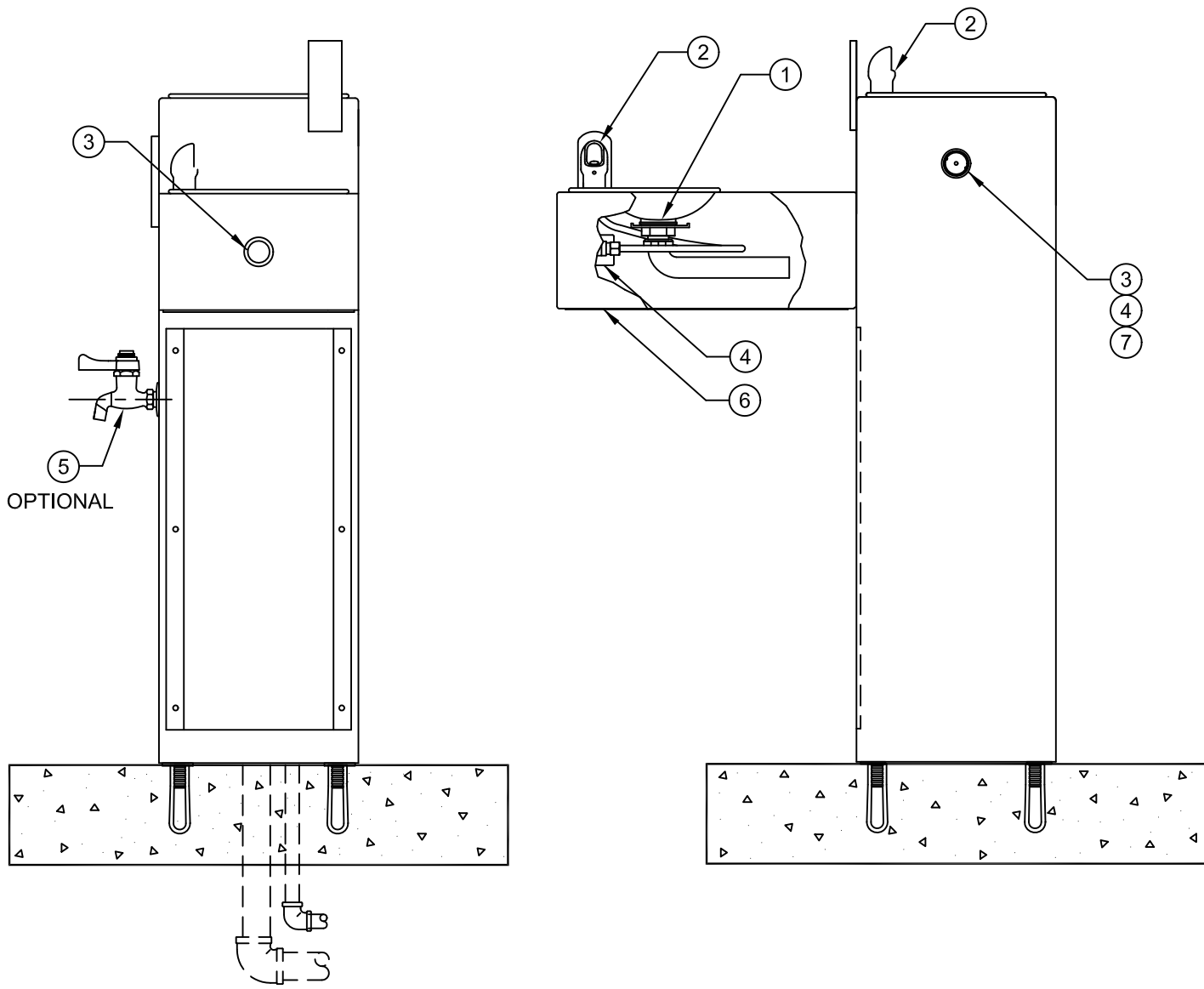



# PARTS BREAKDOWN

ITEM	DESCRIPTION	PART NO.
1	STRAINER ASSY	6466
2	BUBBLER HEAD	0002848703
3	PUSH BTN ASS'Y	PBA7
4	CARTRIDGE HF	0001632151
5	BIB FAUCET (OPTIONAL)	6250LF
6	ACCESS PLATE	PBM1025
7	GASKET W/SCREEN	-





**Haws**<sup>®</sup>

1455 KLEPPE LANE  
SPARKS, NEVADA 89431  
(775) 359-4712 FAX (755) 359-7424  
E-MAIL: HAWS@HAWS.CO.COM  
WEBSITE: WWW.HAWS.CO.COM

ECN NO.	REVISED PER	BY	MODEL(S)	PART NUMBER
	ECN: 4846	HM	3300/3300G	0002077341
DRAWN	DATE	CHKD		DRAWING NO.
D. OLLOM	11/25/95			12813C00
APPROVED	DATE		SCALE: 1:4	DRAWING TYPE: PARTS BREAKDOWN
			SIZE: A	SHEET 1 OF 1

WHEN ORDERING PARTS PLEASE SPECIFY MODEL NUMBER.