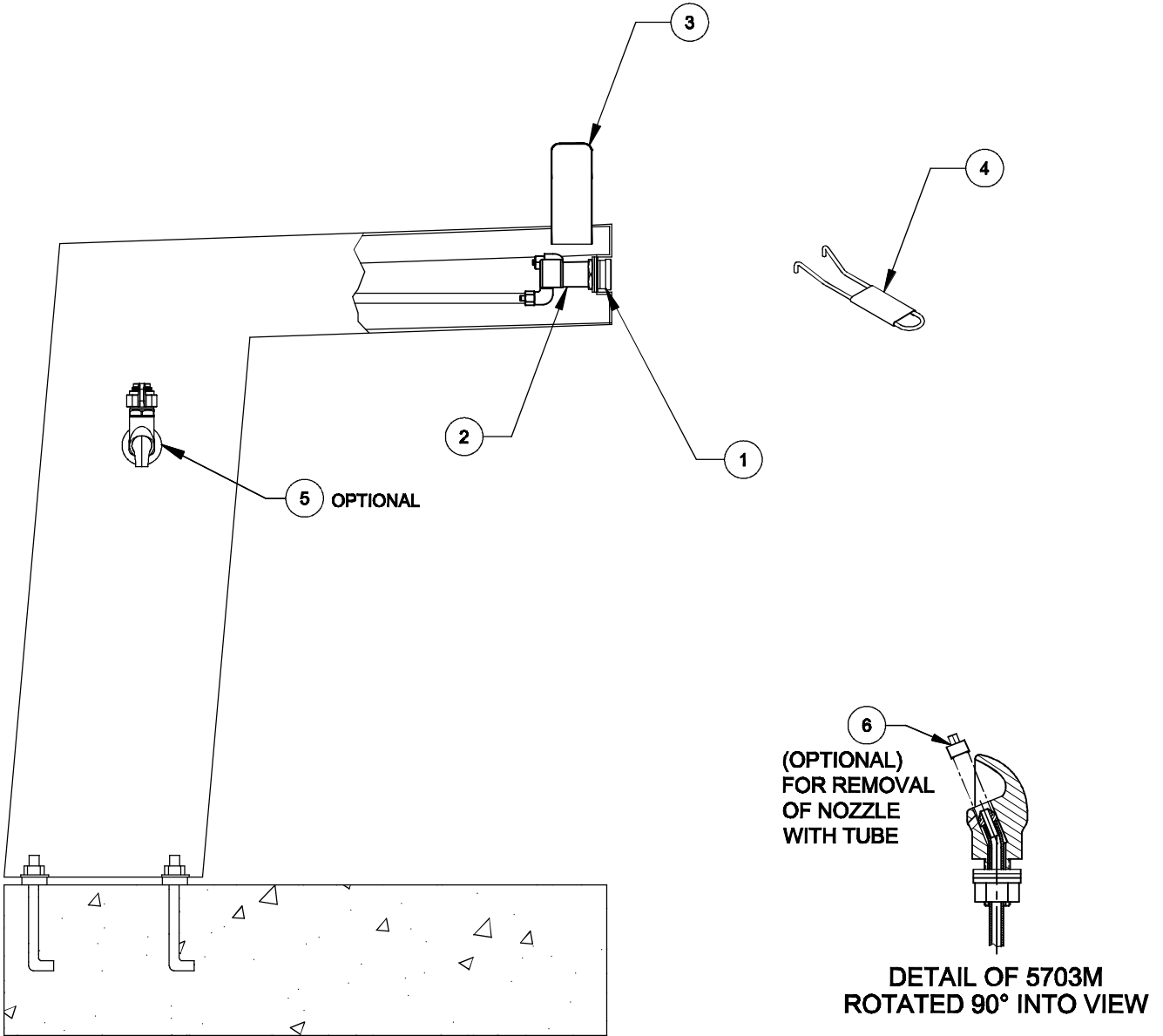


THIS DOCUMENT IS TRUE AND CORRECT AT TIME OF PUBLICATION. CONTINUED PRODUCT IMPROVEMENTS MAKE SPECIFICATIONS AND MEASUREMENTS SUBJECT TO CHANGE WITHOUT NOTICE.

ITEM	DESCRIPTION	PART NO.
1	PUSH BTN ASSY	PBA7
2	VALVE	5874SS
3	BUBBLER HEAD	5703M
4	SPANNER WRENCH	0006983506
5	BIB FAUCET (OPTIONAL)	6250LF
6	DRIVER, NOZZLE .25 HEX	0002082253

PARTS BREAKDOWN



1455 KLEPPE LANE
SPARKS, NEVADA 89431
(775) 359-4712 FAX (755) 359-7424
E-MAIL: HAWS@HAWSCO.COM
WEBSITE: WWW.HAWSCO.COM

ECN NO. REVISED PER BY	ECN: 4828	HM	MODEL(S)	3202/3202G	PART NUMBER	0002077328
DRAWN	DATE	CHKD			DRAWING NO.	REV
D. OLLOM	11/25/86				12812C00	23
APPROVED	DATE		SCALE: 1:4	DRAWING TYPE: PARTS BREAKDOWN	SIZE: A	SHEET 1 OF 1

WHEN ORDERING PARTS PLEASE SPECIFY MODEL NUMBER.