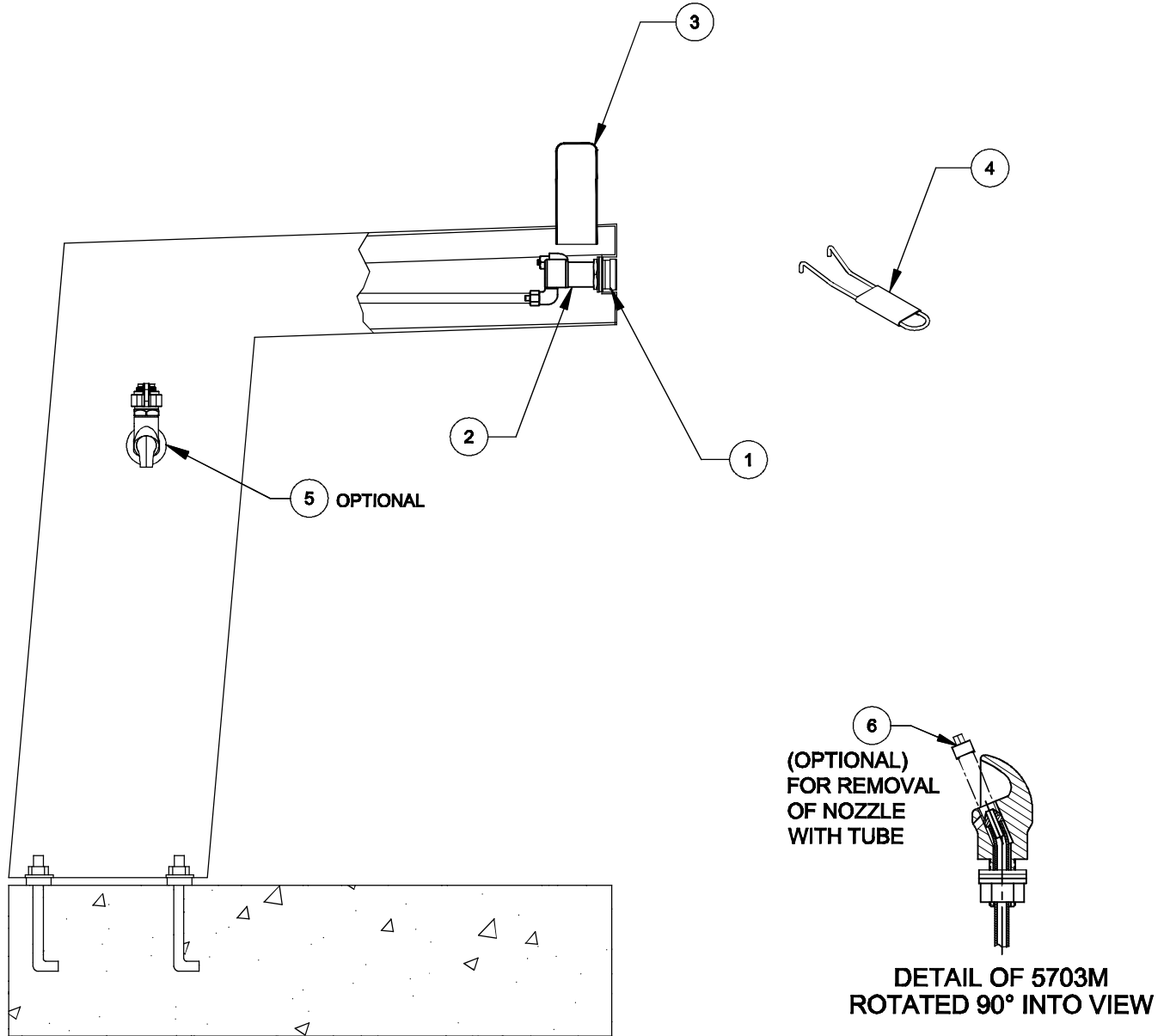


# PARTS BREAKDOWN

ITEM	DESCRIPTION	PART NO.
1	PUSH BTN ASS'Y	PBA7
2	VALVE	5874SS
3	BUBBLER HEAD	5703M
4	SPANNER WRENCH	0006983506
5	BIB FAUCET (OPTIONAL)	6250LF
6	DRIVER, NOZZLE .25 HEX	0002082253



1455 KLEPPE LANE  
SPARKS, NEVADA 89431  
(775) 359-4712 FAX (755) 359-7424  
E-MAIL: HAWS@HAWSCO.COM  
WEBSITE: WWW.HAWSCO.COM

ECN NO. REVISED PER BY	MODEL(S)	PART NUMBER
ECN: 4829 HM	3202/3202G	0002077328
DRAWN DATE CHKD		DRAWING NO. REV
D. OLLCOM 11/25/95		12812C00 23
APPROVED DATE	SCALE: 1:4 DRAWING TYPE: PARTS BREAKDOWN	SIZE: A SHEET 1 OF 1

WHEN ORDERING PARTS PLEASE SPECIFY MODEL NUMBER.