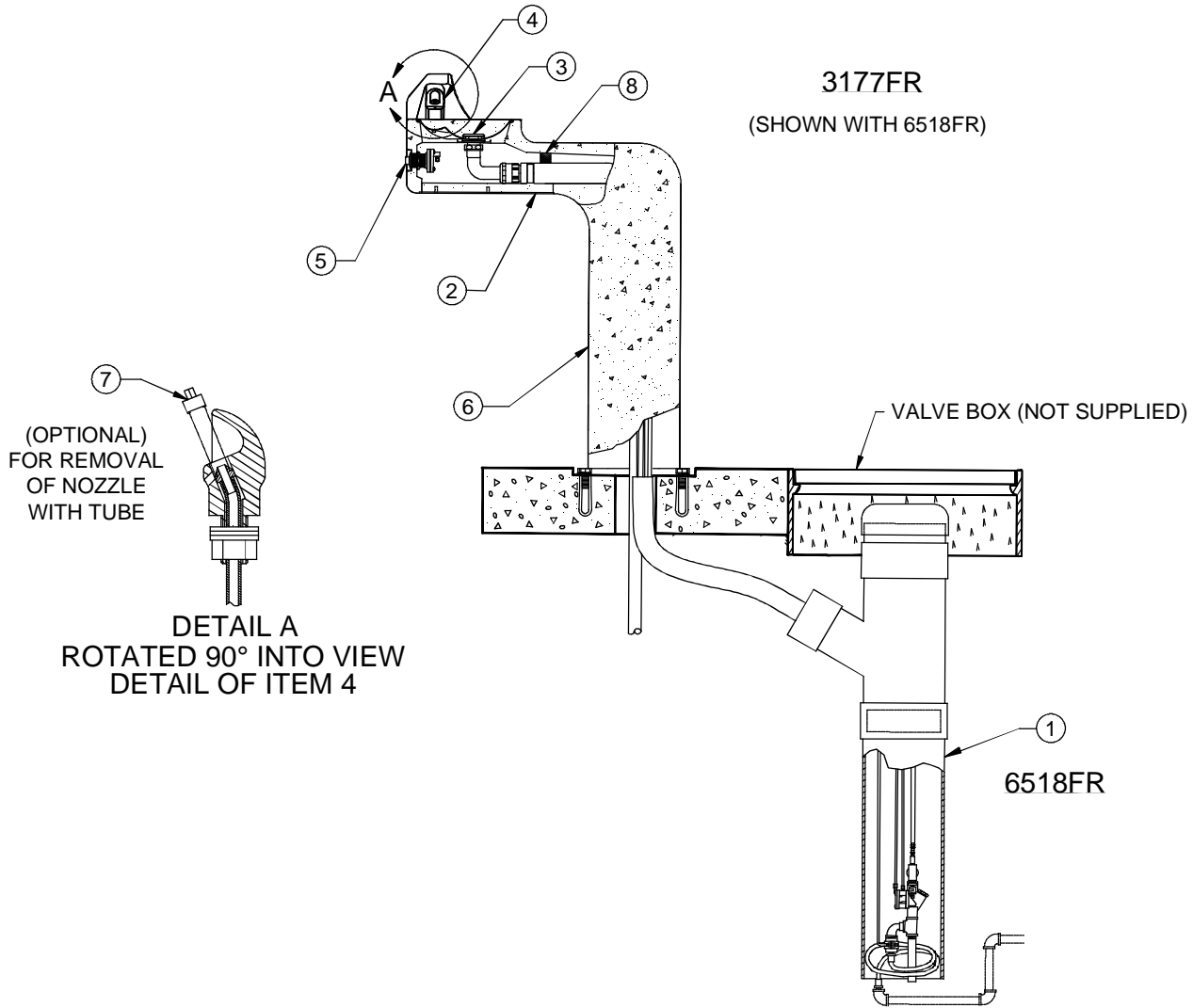


# PARTS BREAKDOWN

ITEM	DESCRIPTION	PART NO.
1	VALVE	6518FR
2	BOTTOM PLATE	PBM3177
3	STRAINER ASSY	6461
4	BUBBLER HEAD	5703M
5	PUSH BUTTON ASSY	5881PBA
6	ACCESS PLATE	PA3177
7	DRIVER. NOZZLE .25 HEX	0002082253
8	SPACER	0005365395



		1455 KLEPPE LANE SPARKS, NEVADA 89431 (775) 359-4712 FAX (775) 359-7424 E-MAIL: HAWS@HAWSO.COM WEBSITE: WWW.HAWSO.COM	
		ECN NO. REVISED PER BY ECN: 4535 JDM	MODEL(S) 3177FR
DRAWN D. OLLOM	DATE 11/25/05	CHKD VWC	REVISION 10
APPROVED FV	DATE 04/21/15	SCALE: 1:1	DRAWING TYPE: PARTS BREAKDOWN
WHEN ORDERING PARTS PLEASE SPECIFY MODEL NUMBER.		SIZE: A	SHEET 1 OF 1