



INSTALLATION, OPERATION & MAINTENANCE INSTRUCTIONS

1455 Kleppe Lane ♦ Sparks, NV 89431-6467 ♦ (775) 359-4712 ♦ Fax (775) 359-7424
E-mail: haws@hawsco.com ♦ website: www.hawsco.com

No. 2077070(24)

Model 3150 Drinking Fountain

NOTE TO INSTALLER: Please leave this information with the Maintenance Department.

LIMITED WARRANTY

HAWS warrants that this specific product is guaranteed against defective material or poor workmanship for a period of **one year from date of shipment**. HAWS liability under this warranty shall be discharged by furnishing without charge F.O.B. HAWS Factory any goods, or part thereof, which shall appear to the Company upon inspection to be of defective material or not of first class workmanship, provided that claim is made in writing to Haws within a reasonable period after receipt of the product. Where claims for defects are made, the defective part or parts shall be delivered to the Company, prepaid, for inspection. HAWS will not be liable for the cost of repairs, alterations or replacements, or for any expense connected therewith made by the owner or his agents, except upon written authority from HAWS, Sparks, Nevada. HAWS will not be liable for any damages caused by defective materials or poor workmanship, except for replacements, as provided above. Buyer agrees that HAWS shall not be liable for general, special, or consequential damages claimed to arise under the contract of sale. The drinking fountain manufactured by HAWS is warranted to function if installation and maintenance instructions provided are adhered to. The units also must be used for the purpose for which they were intended.

**NO OTHER WARRANTIES EXPRESSED OR IMPLIED ARE AUTHORIZED,
PROVIDED OR GIVEN BY HAWS.**

**SHOULD YOU EXPERIENCE DIFFICULTY WITH THE INSTALLATION OF THIS
MODEL PLEASE CALL:**

TECHNICAL SUPPORT: 1-800-766-5612

FOR CUSTOMER SERVICE: 1-888-640-4297

RECOMMENDED TOOLS: Hack saw, pipe joint sealant, screwdriver, level, 12" adjustable wrench, 10" pipe wrench, 5/64" hex key wrench, 9/16", 1/2", 7/16" socket wrench or open end wrench.

LOCATION OF UNIT: The Model 3150 Drinking Fountain is a wheelchair accessible drinking water facility. The height dimensions shown, meet current ADA requirements. When installing this unit, local, state or federal codes should be adhered to. If height other than shown is required, then dimensions must be adjusted accordingly.

SUPPLY LINE: The minimum recommended line size is 1/2" IPS with 30-90 psi (2-6 ATM) flowing pressure. Where sediment or mineral content is a problem, an inlet filter is recommended.

PLUMBING CONNECTIONS: Inlet is 1/4" IPS male fitting. Waste outlet is female 1-1/2" Slip PVC.

MAINTENANCE: Periodically clean the strainer. Refer to 5874SS Valve Operation and Maintenance Sheet for more information.

TROUBLESHOOTING

PROBLEM	REPAIR CHECKLIST
1. Insufficient bubbler flow.	<ol style="list-style-type: none">1a. Check that inlet screwdriver stop valve is wide open. Turn counterclockwise.b. Verify minimum 30 psi flowing supply pressure.c. Clean strainer. See 5874SS Valve Manual.d. Adjust valve to increase flow. Use front adjust screw or see 5874SS Valve Manual.

General Notes:

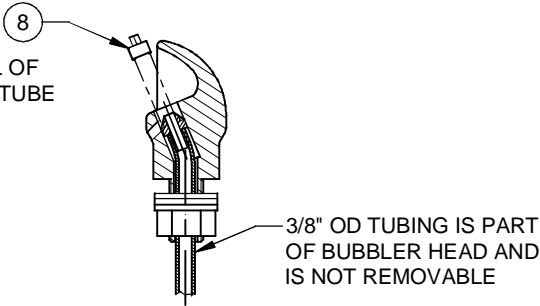
Before tightening nut and ferrule assembly, push tubing into fitting until it bottoms out to ensure correct engagement with O-Ring.

For more information on Haws Products, please see our website: www.hawesco.com

PARTS BREAKDOWN

ITEM	DESCRIPTION	PART NO.
1	BOTTOM PLATE	PBM1047
2	STRAINER ASSY	6466
3	BUBBLER HEAD	5703M
4	PUSH BTN ASS'Y	PBA7
5	VALVE	5874SS
6	ACCES PLATE SST W/HOLE (OPTIONAL)	0004499489
7	BIB FAUCET, SELF CLOSING (OPTIONAL)	6250LF
8	DRIVER, NOZZLE .25 HEX	0002082253

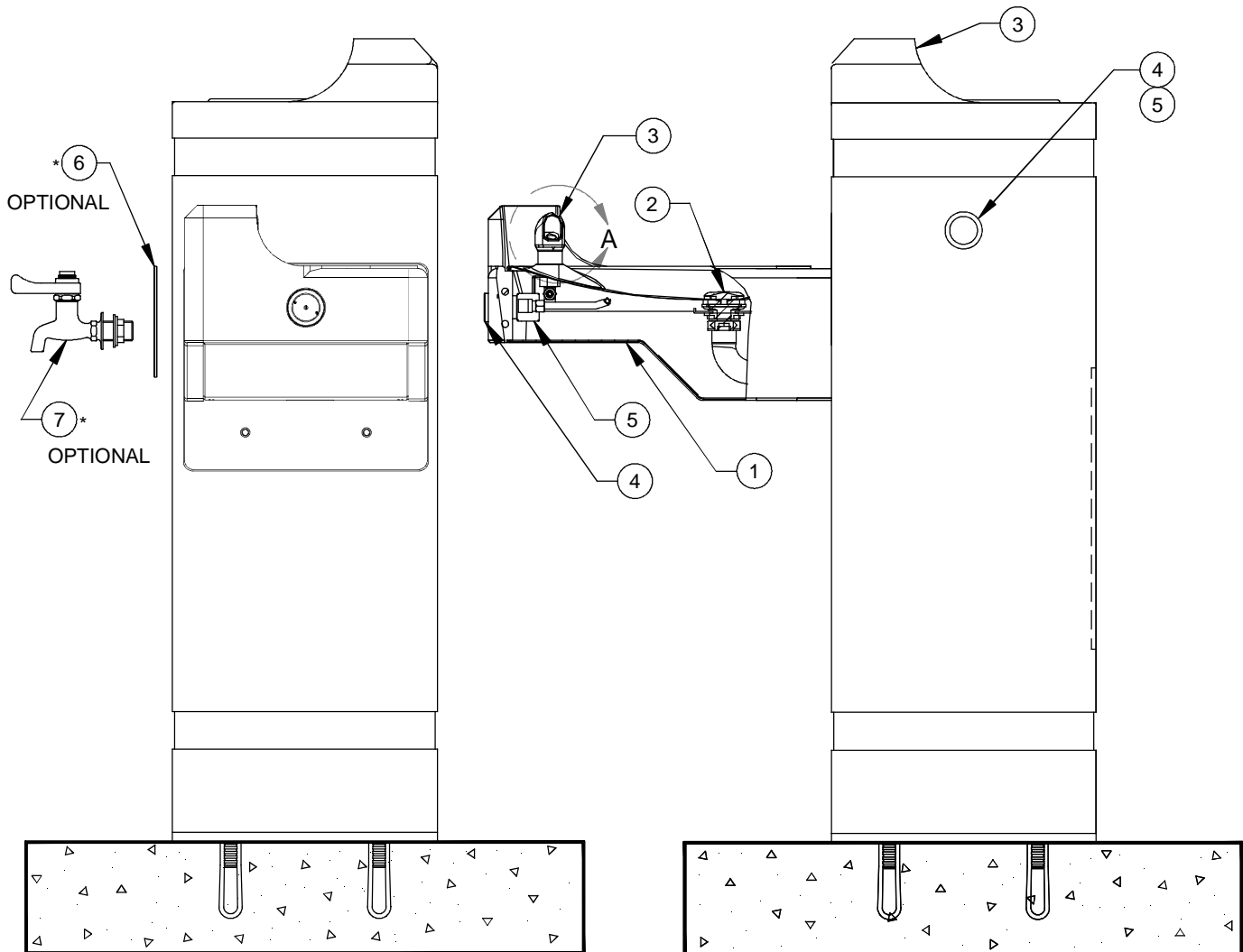
** (OPTIONAL)
FOR REMOVAL OF
NOZZLE WITH TUBE



* **NOTE:** ITEM 7 (ACCESS PLATE W/HOLE)
MUST BE USED WITH ITEM 8
(BIB FAUCET, SELF CLOSING).

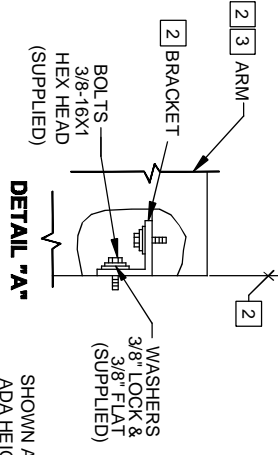
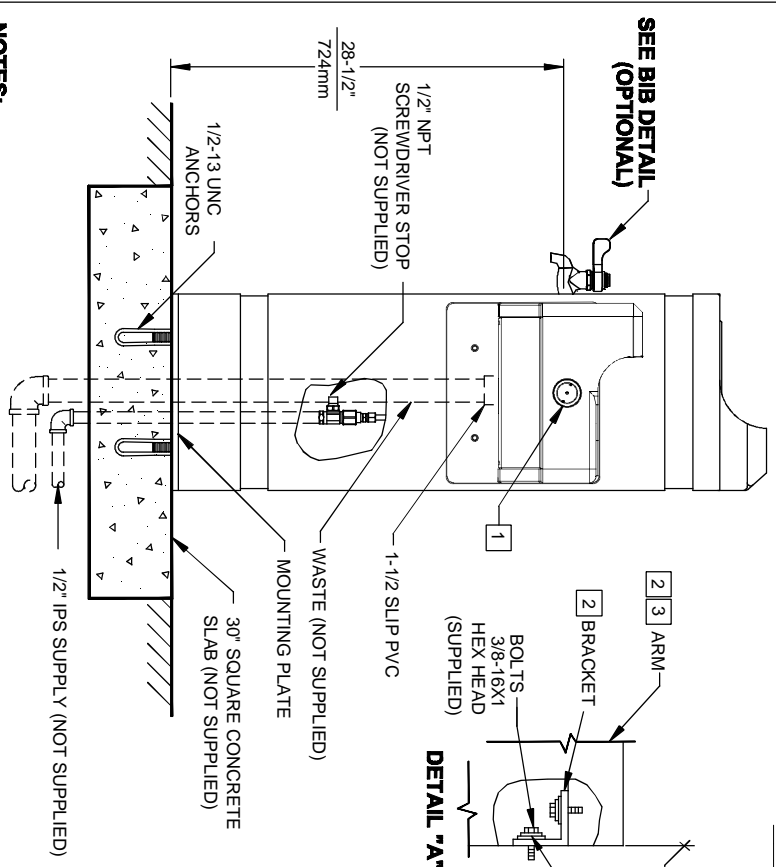
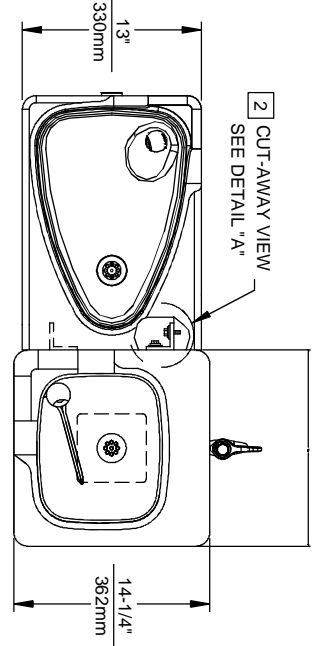
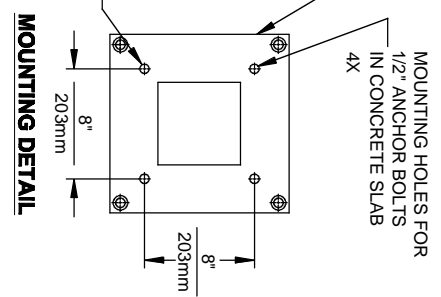
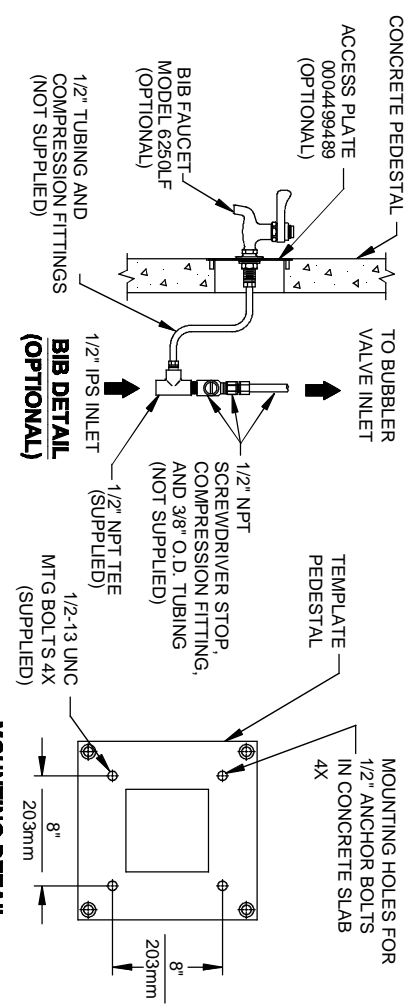
DETAIL A
ROTATED 90° INTO VIEW
DETAIL OF ITEM 3

** ENSURE TUBE IS DISCONNECTED FROM VALVE
BODY PRIOR TO REMOVAL. APPLY A DROP OF
LOCTITE 222MS ON NOZZLE THREADS PRIOR TO
REASSEMBLING BACK ONTO BUBBLER HEAD.
REATTACH TUBE TO VALVE BODY.

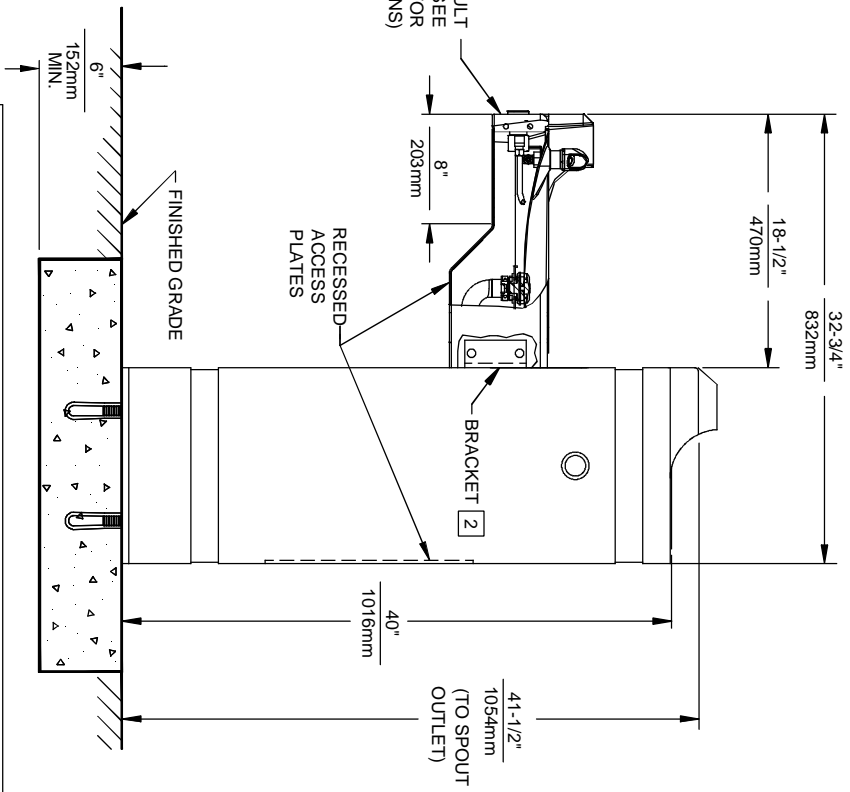


WHEN ORDERING PARTS PLEASE SPECIFY MODEL NUMBER.

		1455 KLEPPE LANE SPARKS, NEVADA 89431 (775) 359-4712 FAX (775) 359-7424 E-MAIL: HAWS@HAWS.CO.COM WEBSITE: WWW.HAWS.CO.COM	
		ECN NO. REVISED PER BY ECN: 4933 HM	MODEL(S) 3150
DRAWN D. OLLOM	DATE 11/25/95	CHKD FV	REVISION 24
APPROVED FV	DATE 10/21/14	SCALE: 1:4	DRAWING TYPE: PARTS BREAKDOWN
		SIZE: A	SHEET 1 OF 1



SHOWN AT ADULT ADA HEIGHT (SEE SHEET 2 OF 2 FOR ACTUAL DIMENSIONS)



1455 KLEPPE LANE
SPARKS, NEVADA 89431
(775) 359-4712 FAX (775) 359-7424
E-MAIL: HAWS@HAWS.CO.COM
WEBSITE: WWW.HAWS.CO.COM

ECN NO. REVISED PER: BY: MODEL(S)	3150
DRAWN: C.J.L. DATE: 09/92	CHKD: F.V.
APPROVED: F.V. DATE: 10/21/14	SCALE: 1:13
DRAWING TYPE: INSTALLATION	
PART NUMBER: 0002077070.D	REVISION: 24

- NOTES:**
- REFER TO 5874SS OPERATION AND MAINTENANCE MANUAL FOR PUSH BUTTON AND VALVE INSTALLATION/MAINTENANCE INSTRUCTIONS.
 - PROCEDURE FOR ASSEMBLING ARM TO PEDESTAL:**
IMPORTANT: L-BRACKETS ARE PRE-ASSEMBLED AND **MUST NOT** BE LOOSENED FOR ANY REASON.
NOTES CONTINUED ON SHEET 2 OF 2.

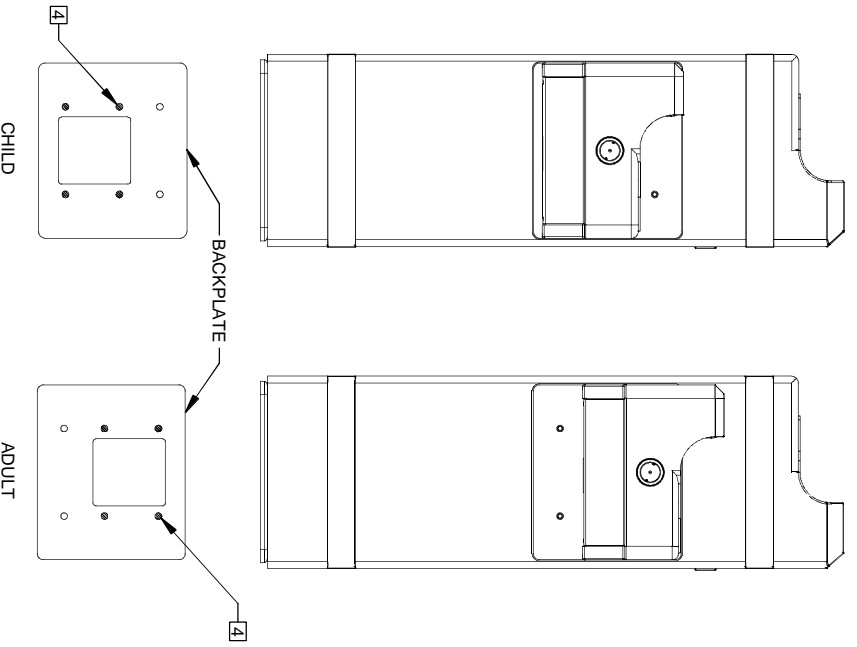
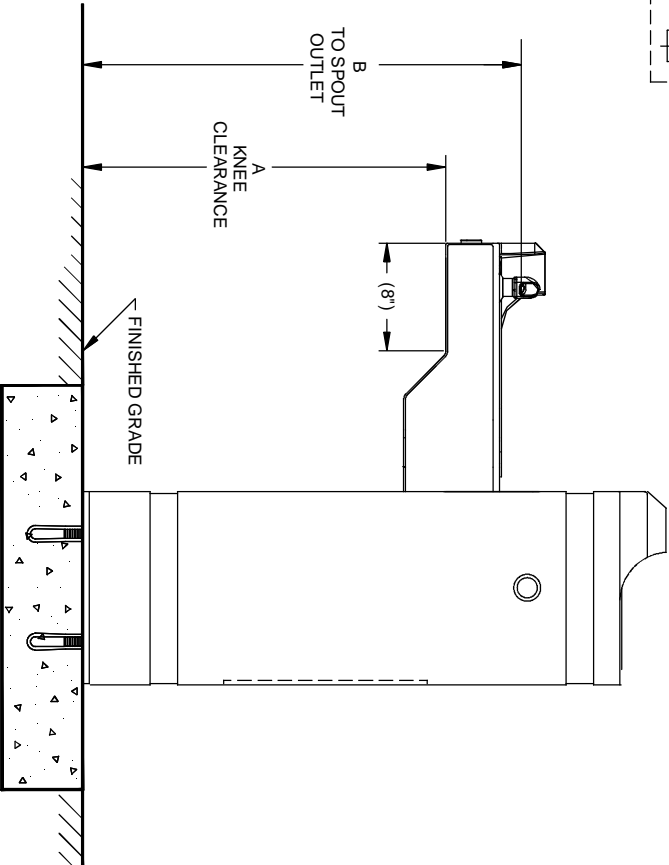


FIGURE 1



AVAILABLE ARM HEIGHTS		
DIM	ADULT ADA	CHILD ADA
A	27" / 686mm	24" / 610mm
B	32-3/4" / 832mm	29-3/4" / 756mm

NOTES:

STEP 1: ATTACH ENTIRE ARM ASSEMBLY TO MOUNTING PLATE ON PEDESTAL USING THE 3/8" - 16 X 1" BOLTS AND WASHERS (SUPPLIED) AND TIGHTEN SECURELY IN PLACE.

STEP 2: (OPTIONAL) APPLY CAULKING AS NEEDED TO FILL ANY GAP BETWEEN ARM AND PEDESTAL.

3 SIDE ARM IS ADJUSTABLE TO ACCOMMODATE EITHER CHILD OR ADULT HEIGHTS (SEE "AVAILABLE ARM HEIGHTS" CHART).

4 BASED ON DESIRED HEIGHT (CHILD OR ADULT) OF ARM, ORIENT BACKPLATE AS SHOWN IN FIGURE 1 AND USE APPROPRIATE SHADED HOLES.

5 WASTE ASSEMBLY IS SUPPLIED DISASSEMBLED. THE SHORTER OF THE TWO PIECES IS FOR THE ARM DRAIN, AND MUST BE INSTALLED SO THAT ANY BEND IN THE FLEX TUBING WILL ALLOW WATER TO DRAIN COMPLETELY. THE LONGER IS FOR THE PEDESTAL DRAIN AND IS SUPPLIED AT THE LENGTH REQUIRED TO ASSEMBLE THE UNIT WITH THE ARM AT CHILD HEIGHT. IN ORDER TO ASSEMBLE AT ADULT HEIGHT, 3" MUST BE CUT FROM THE END OF THE FLEX TUBING PRIOR TO ASSEMBLY. TEE IS TO BE GLUED TO THE FLEX TUBING WASTE ARMS USING PVC PIPE CEMENT.



Haws

1455 KLEPPPE LANE
SPARKS, NEVADA 89431
(775) 359-4712 FAX (775) 359-7424
E-MAIL: HAWS@HAWSCO.COM
WEBSITE: WWW.HAWSCO.COM

EON NO. REVISED PER BY:	MODEL(S)	1455 KLEPPPE LANE
ECN: 4933	3150	SPARKS, NEVADA 89431
DATE: 09/92		(775) 359-4712 FAX (775) 359-7424
CHKD: FV		E-MAIL: HAWS@HAWSCO.COM
DATE: 10/21/14		WEBSITE: WWW.HAWSCO.COM
SCALE: 1:13	DRAWING TYPE: INSTALLATION	PART NUMBER: 000207070.D
APPROVED: FV	SIZE: A	SHEET: 2 OF 2
		REVISION: 24