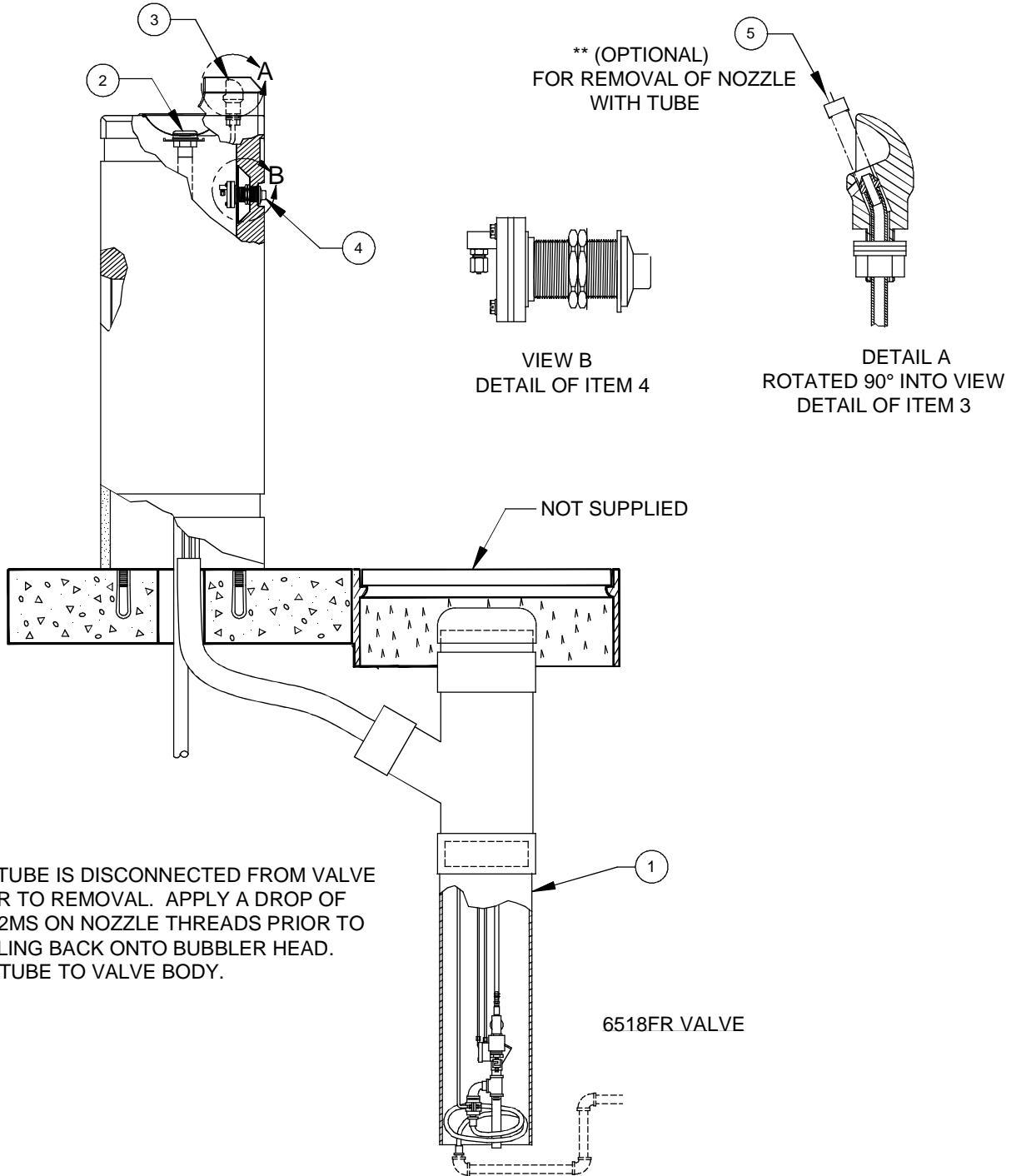


PARTS BREAKDOWN

ITEM	DESCRIPTION	PART NO.
1	VALVE	6518FR
2	STRAINER ASSY	6466
3	BUBBLER HEAD	5703M
4	PUSH BTN ASS'Y	5881PBA
5	DRIVER, NOZZLE .25 HEX	0002082253



** ENSURE TUBE IS DISCONNECTED FROM VALVE BODY PRIOR TO REMOVAL. APPLY A DROP OF LOCTITE 222MS ON NOZZLE THREADS PRIOR TO REASSEMBLING BACK ONTO BUBBLER HEAD. REATTACH TUBE TO VALVE BODY.

		1455 KLEPPE LANE SPARKS, NEVADA 89431 (775) 359-4712 FAX (775) 359-7424 E-MAIL: HAWS@HAWS.CO.COM WEBSITE: WWW.HAWS.CO.COM	
		ECN NO. REVISED PER BY ECN: 4535 HM	MODEL(S) 3121FR
DRAWN D. OLLOM	DATE 11/25/95	CHKD VWC	REVISION 11
APPROVED FV	DATE 04/21/15	SCALE: 1:1	DRAWING TYPE: PARTS BREAKDOWN SIZE: A SHEET 1 OF 1

WHEN ORDERING PARTS PLEASE SPECIFY MODEL NUMBER.