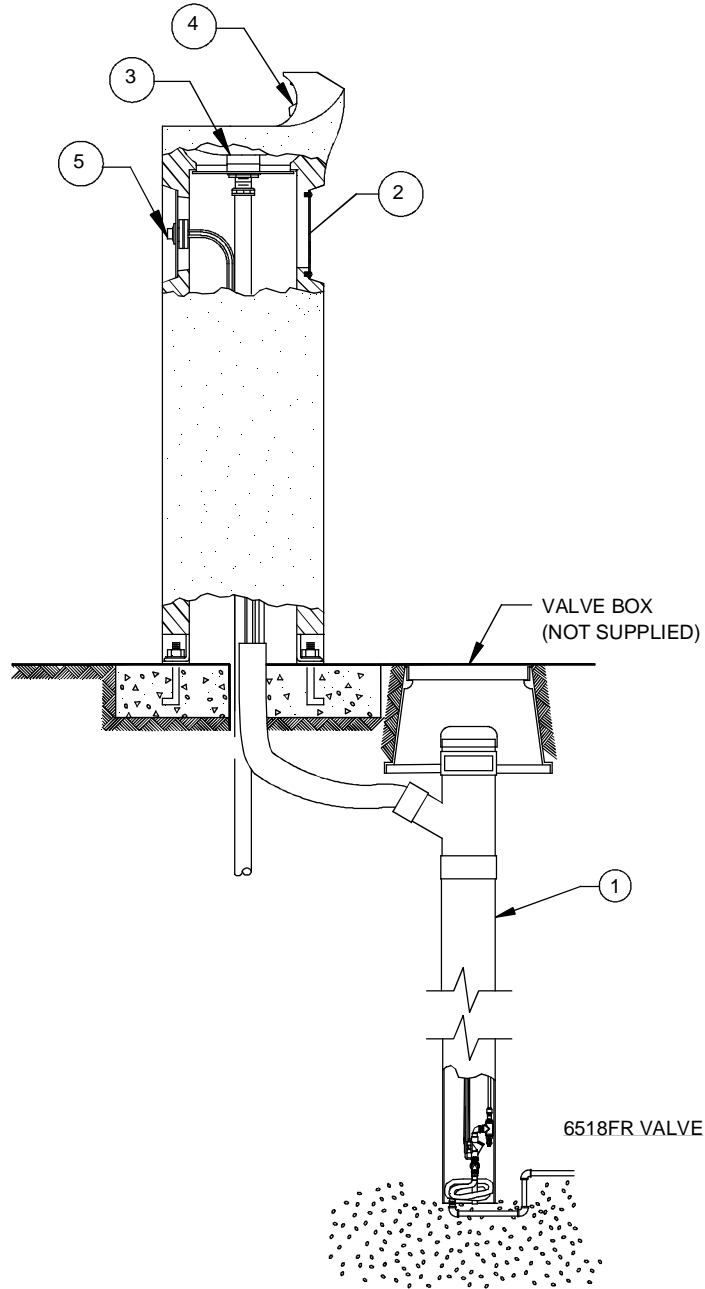



ITEM	DESCRIPTION	PART NO.
1	VALVE	6518FR
2	ACCESS PANEL	PAB3000
3	STRAINER ASSY	6461
4	BUBBLER HEAD	5701SL
5	PUSH BUTTON ASSY	5881PBA
6	-	-
7	-	-

# PARTS BREAKDOWN



 <b>Haws</b> <sup>®</sup>		1455 KLEPPE LANE SPARKS, NEVADA 89431 (775) 359-4712 FAX (775) 359-7424 E-MAIL: HAWS@HAWS.CO.COM WEBSITE: WWW.HAWS.CO.COM	
		ECN NO. REVISED PER BY ECN: 4535 HM	MODEL(S) 3060FR
DRAWN D. OLLOM APPROVED FV	DATE 11/26/95 DATE 04/21/15	CHKD VWC	REVISION 10
WHEN ORDERING PARTS PLEASE SPECIFY MODEL NUMBER.		SCALE: 1:1 DRAWING TYPE: PARTS BREAKDOWN	SIZE: A SHEET 1 OF 1