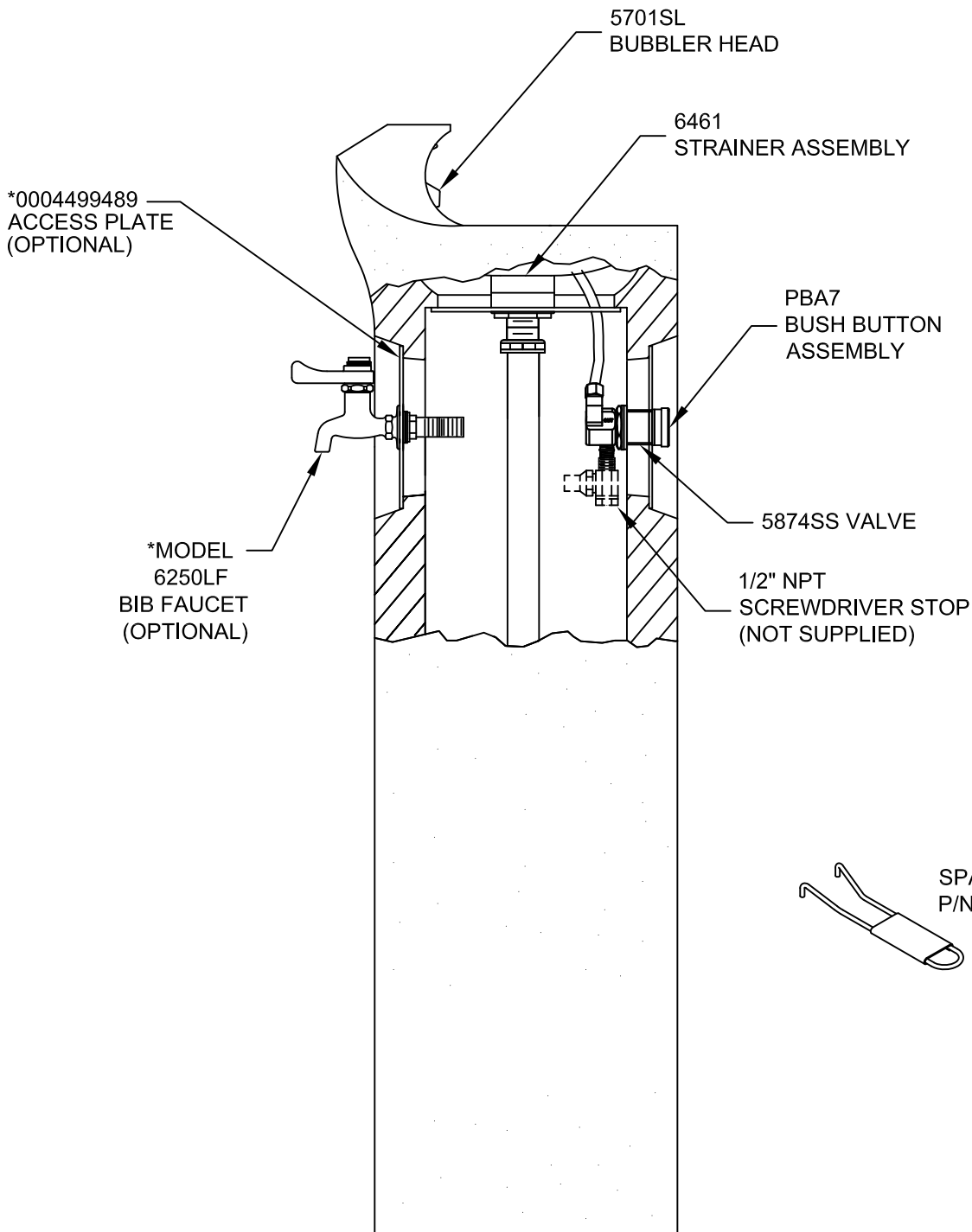


PARTS BREAKDOWN



*** NOTE: MODEL 6250LF MUST BE USED
WITH ACCESS PLATE 0004499489**



Haws®

1455 KLEPPE LANE
SPARKS, NEVADA 89431
(775) 359-4712 FAX (755) 359-7424
E-MAIL: HAWS@HAWS.CO.COM
WEBSITE: WWW.HAWS.CO.COM

ECN NO.	REVISED PER	BY	MODEL(S)	PART NUMBER
	ECN: 4846	HM		0002077030
DRAWN	DATE	CHKD	3060	DRAWING NO.
D. OLLOM	11/25/95			12804C00
APPROVED	DATE		SCALE: 1:3	DRAWING TYPE: PARTS BREAKDOWN
			SIZE: A	SHEET 1 OF 1

WHEN ORDERING PARTS PLEASE SPECIFY MODEL NUMBER.