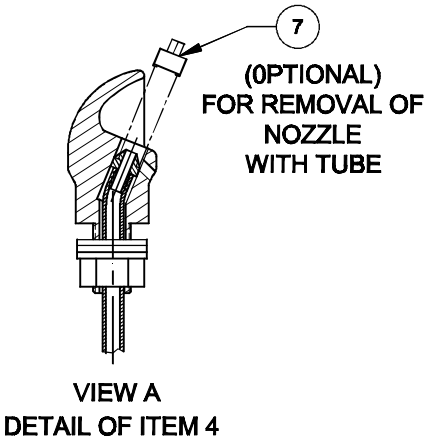
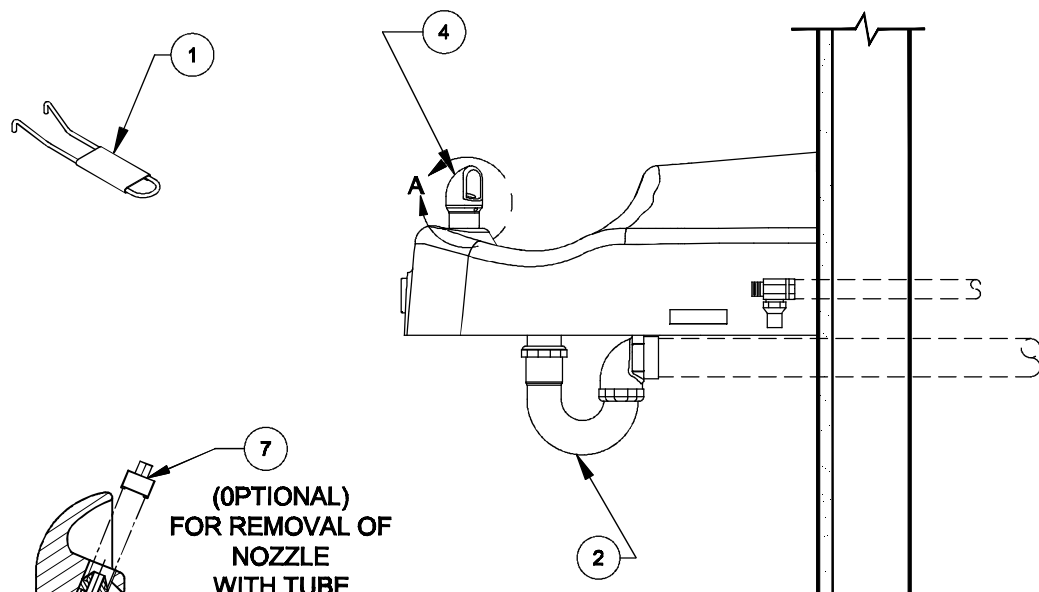
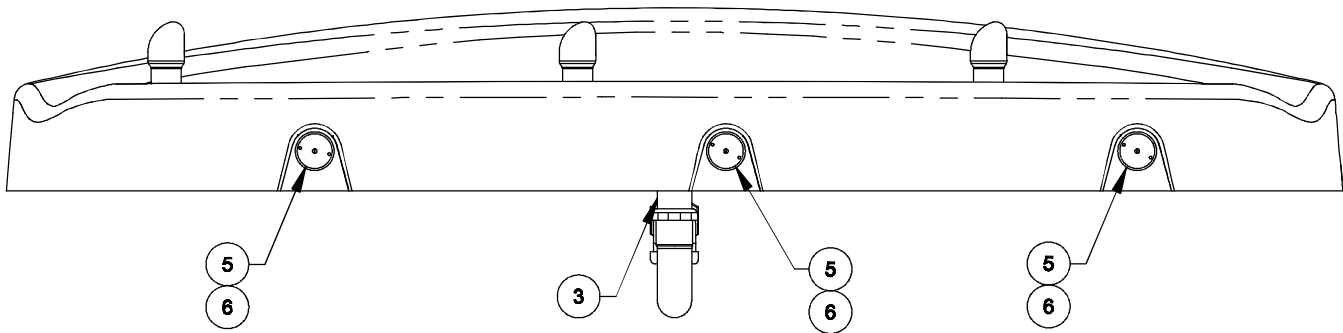


ITEM	DESCRIPTION	PART NO.
1	SPANNER WRENCH	0006983506
2	TRAP	SP95
3	STRAINER ASSY	6454
4	BUBBLER HEAD	5703M
5	PUSH BTN ASS'Y	PBA7
6	VALVE	5874SS
7	DRIVER, NOZZLE .25 HEX	0002082253

PARTS BREAKDOWN



1455 KLEPPE LANE
SPARKS, NEVADA 89431
(775) 359-4712 FAX (755) 359-7424
E-MAIL: HAWS@HAWSO.COM
WEBSITE: WWW.HAWSO.COM

ECN NO. ECN: 4928	REVISED PER HM	MODEL(S) 1409	PART NUMBER 0002077601
DRAWN M. DAVIS	DATE 12/14/05	APPROVED	DRAWING NO. 15215A00
SCALE: 1:1	DRAWING TYPE: PARTS BREAKDOWN	SIZE: A	SHEET 1 OF 1

WHEN ORDERING PARTS PLEASE SPECIFY MODEL NUMBER.