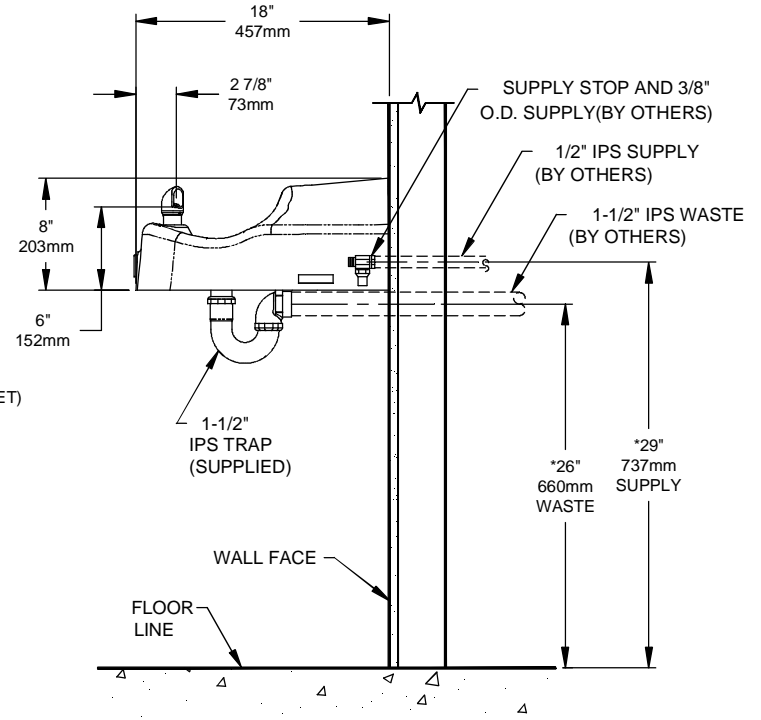
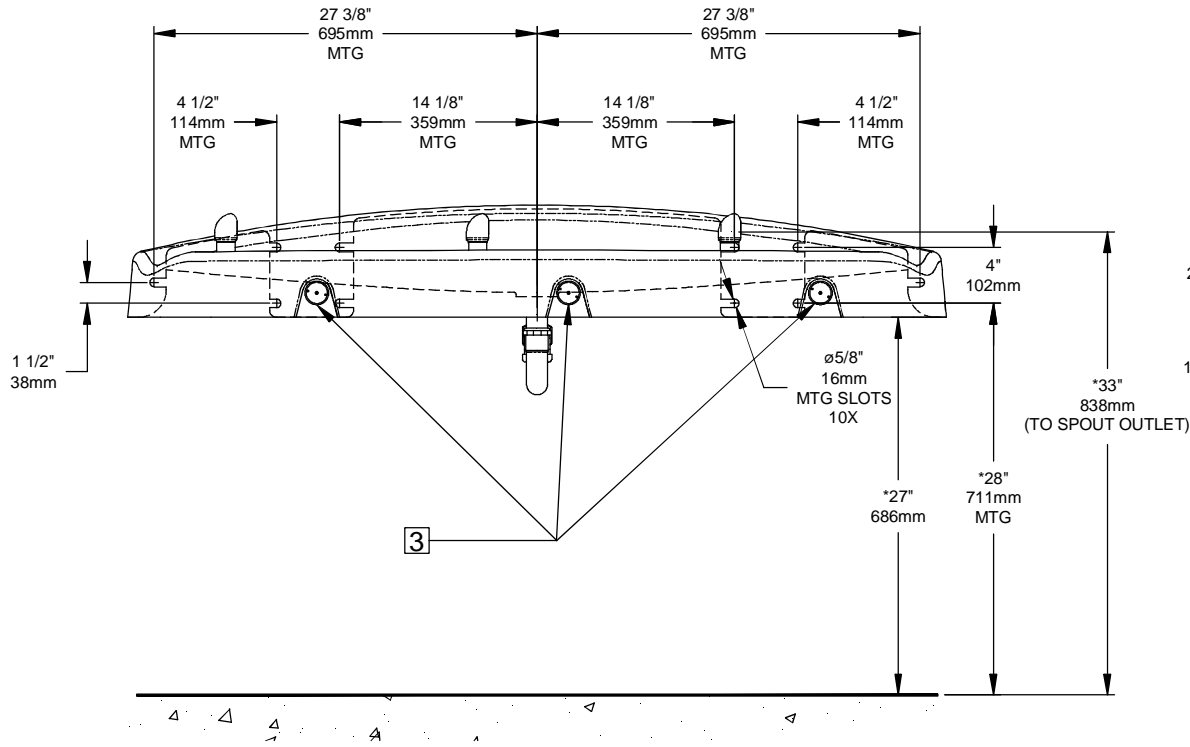


NOTES:

1. HOLD ROUGH-IN DIMENSIONS $\pm 1/4$ " (6.4mm).
2. WHEN INSTALLING THIS UNIT, LOCAL, STATE, OR FEDERAL CODES SHOULD BE ADHERED TO. FOR INSTALLATION HEIGHTS OTHER THAN SHOWN, DIMENSIONS MARKED (*) MUST BE ADJUSTED ACCORDINGLY.
- 3 REFER TO 5874SS OPERATION AND MAINTENANCE MANUAL FOR PUSH BUTTON AND VALVE INSTALLATION/MAINTENANCE INSTRUCTONS.



		1455 KLEPPE LANE SPARKS, NEVADA 89431 (775) 359-4712 FAX (755) 359-7424 E-MAIL: HAWS@HAWSCO.COM WEBSITE: WWW.HAWSCO.COM		
		ECN NO. REVISED PER BY: ECN: 4828 HM DRAWN: M. DAVIS DATE: 12/13/05 CHK'D.: APPROVED: DATE:	MODEL(S) 1409	PART NUMBER 0002077601.D DRAWING NO. REV 15214C00 6
SCALE: 1:14		DRAWING TYPE: INSTALLATION		SIZE: A SHEET 1 OF 1