



model 1311

Barrier-Free Enameled Iron Wall Mount Fountain

FEATURES & BENEFITS

CONSTRUCTION

Heavy-duty cast iron bowl with a glossy white enamel finish is designed for the toughest of applications, and at the same time is gentle to all users with its soft rounded corners. Unit also ships with vandal-resistant bottom plates to provide added peace of mind.

INTEGRATED TRAP

Chrome-plated 1-1/2" IPS trap is internally mounted for easy access and installation.

BUBBLER HEAD

Polished chrome-plated brass bubbler head with integral basin shank for added strength. Shielded, angled stream opening provides a steady, sanitary source of drinking water.

PUSH BUTTON VALVE

The push-button activated valve assembly allows for front access stream adjustment as well as cartridge and strainer access. The valve works at an operating pressure range of 30 to 90 psi (2.1 to 6.2 bar).



OPTIONS

- Water Filter: Model 6426, 12" x 2" (30.5 x 5.1 cm), in-line lead removal element that reduces lead from incoming water supply.
- Mounting Plate: Model 6700 universal mounting plate for most wall mounted fountains. Priced Separately
- Support Frame: Model 6800 universal in-wall mounting support for use with most fountains.
- Remote Chiller: Model HCR8, 8 gph (30.3 L) remote water chiller provides instantaneous cooling to meet a continuous demand for chilled water.

To see all options for this model, visit www.hawsc.com

SPECIFICATIONS

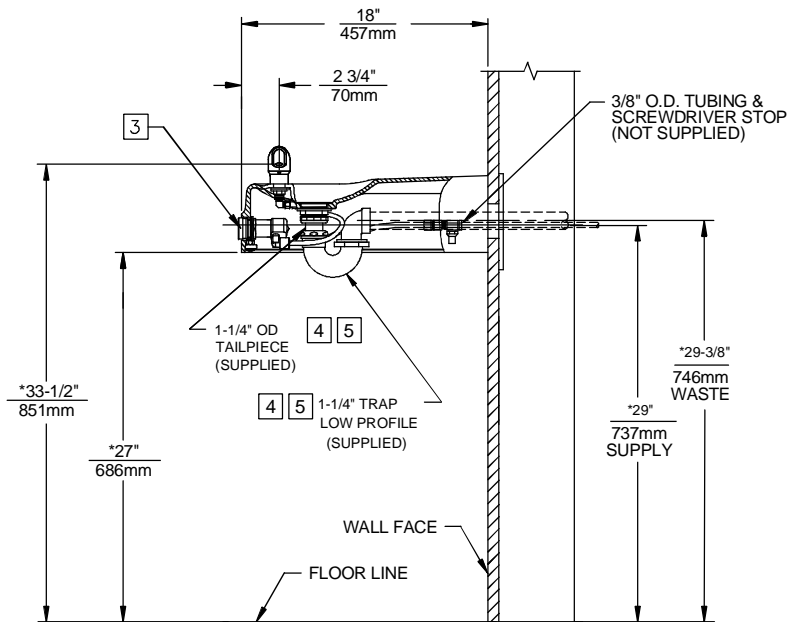
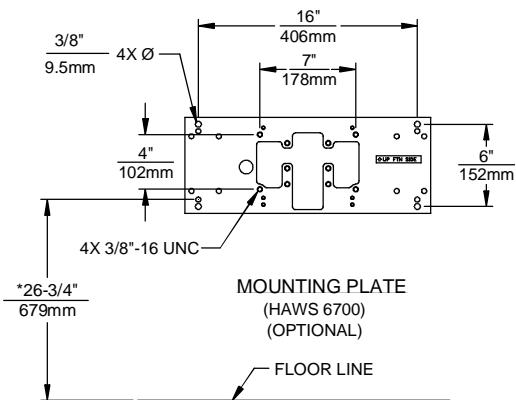
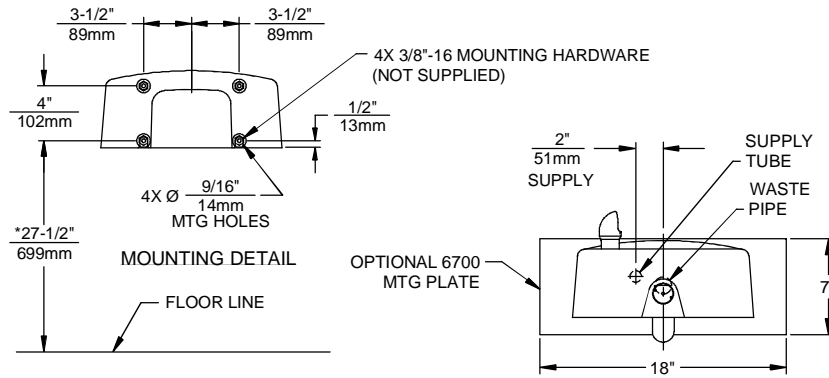
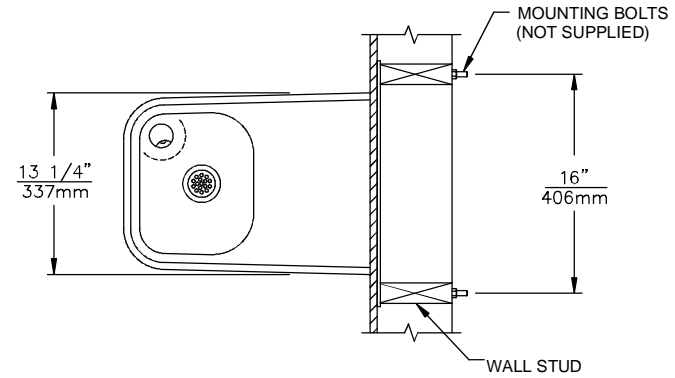
Model 1311 wall-mounted barrier-free drinking fountain shall include a white enameled-iron basin, push-button operated stainless steel valve with front-accessible cartridge and flow adjustment, 100% lead-free waterways, polished chrome-plated brass vandal-resistant bubbler head, polished chrome-plated brass vandal-resistant waste strainer, vandal-resistant bottom plate, and chrome-plated 1-1/4" IPS trap. REQUIRES MODELS 1311BOWL & 1311TRIM.

APPLICATIONS

Perfect for either public or private settings, our gleaming white enameled iron series is one of the sturdiest wall mounted fountains Haws produces. This series is precisely mounted, making it a nice addition to any surrounding. Elegant gloss finish and color consistency throughout the enameled iron maintain the fountains overall appeal so it always remains looking as new as it did when it was installed. Specifically, this type of wall mounted drinking fountain may be placed in settings such as: parks, schools, and other indoor/outdoor environments where the temperature remains above freezing. Model meets all current Federal Regulations for the disabled including those in the Americans with Disabilities Act. Haws manufactures drinking fountains and electric water coolers to be lead-free by all known definitions including NSF/ANSI Standard 61, Section 9, NSF/ANSI 372, California Proposition 65, and the Federal Safe Drinking Water Act. Product is compliant to California Health and Safety Code 116875 (AB 1953-2006).

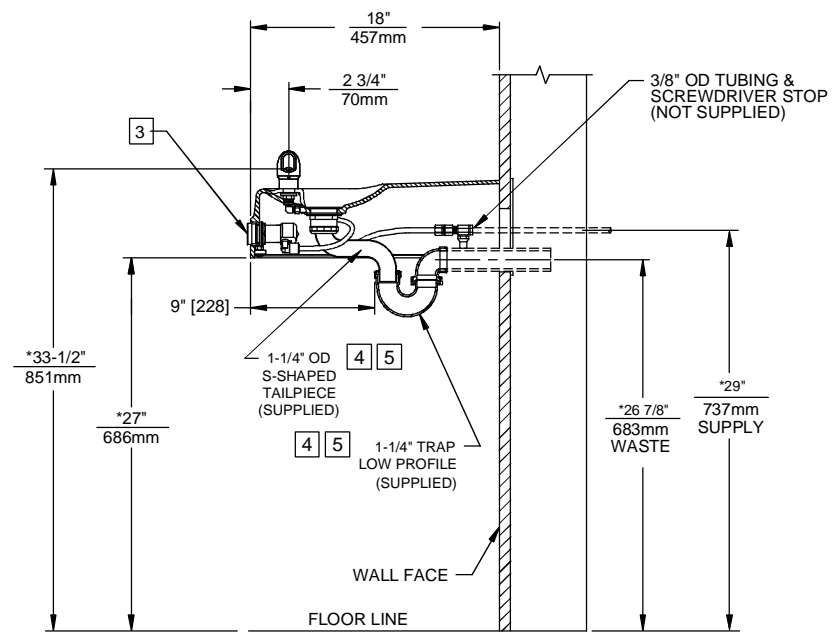
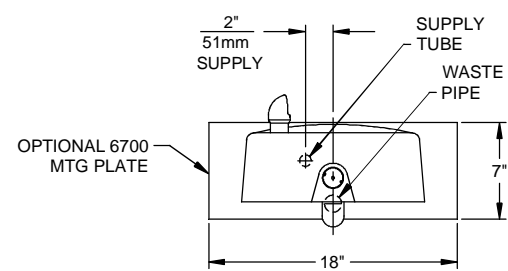
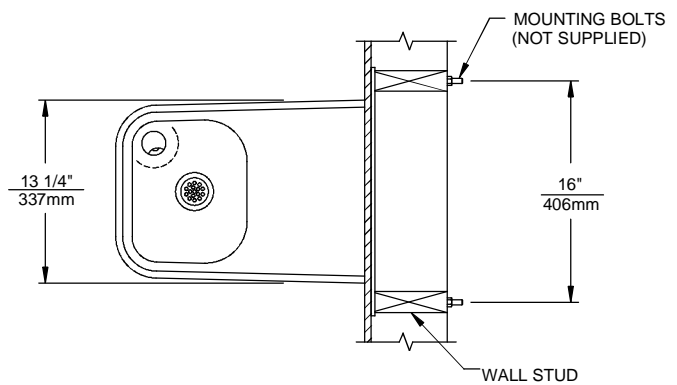


1. HOLD ROUGH-IN DIMENSIONS $\pm 1/4"$ (6.4MM).
2. WHEN INSTALLING THIS UNIT, LOCAL, STATE, OR FEDERAL CODES SHOULD BE ADHERED TO. FOR INSTALATION HEIGHTS OTHER THAN SHOWN, DIMENSIONS MARKED (*) MUST BE ADJUSTED ACCORDINGLY.
- 3 REFER TO 5874SS/VRK5874 OPERATION AND MAINTENANCE MANUAL FOR PUSH BUTTON AND VALVE INSTALLATION/MAINTENANCE INSTRUCTIONS.
- 4 SEE SHEET 2 FOR ALTERNATE PARTS SUPPLIED WITH OPTIONAL 1311TRIMCA.
- 5 1311TRIMCA REPLACES THE STANDARD BOTTOM PLATE, PN PBM1311, AND 1 1/4 X 1 3/4 TAILPIECE, PN 0005743542, WITH BOTTOM PLATE, PN 0004544799, AND S-SHAPED WASTE BEND, PN 0000198950.



4 5 **1311TRIM**
STANDARD INSTALLATION
(FOR ALTERNATE 1311TRIMCA
INSTALLATION SEE SHEET 2.)

		1455 KLEPPE LANE SPARKS, NEVADA 89431 (775) 359-4712 FAX (755) 359-7424 E-MAIL: HAWS@HAWS.CO.COM WEBSITE: WWW.HAWS.CO.COM	
		ECN NO. REVISED PER BY: MODEL(S) ECN: 4913 VWC DATE: 09/28/00 CHKD.:	1311
DRAWN: PM APPROVED:	DATE: 09/28/00 DATE:	SCALE: 1:14 DRAWING TYPE: INSTALLATION	DRAWING NO. REV 14822A00 17
©2014 Haws Corporation - All Rights Reserved. HAWS® and other trademarks used in these materials are the exclusive property of Haws Corporation.		SHEET 1 OF 2	SIZE: A



4 5 1311TRIMCA
(ALTERNATE INSTALLATION)

		1455 KLEPPE LANE SPARKS, NEVADA 89431 (775) 359-4712 FAX (755) 359-7424 E-MAIL: HAWS@HAWS.CO.COM WEBSITE: WWW.HAWS.CO.COM	
		ECN NO. REVISED PER BY: MODEL(S) ECN: 4913 VWC: 1311	PART NUMBER 0002076786.D
DRAWN: PM DATE: 09/28/00 APPROVED:	CHECKED: VWC DATE:	SCALE: 1:14 DRAWING TYPE: INSTALLATION	SHEET 2 OF 2