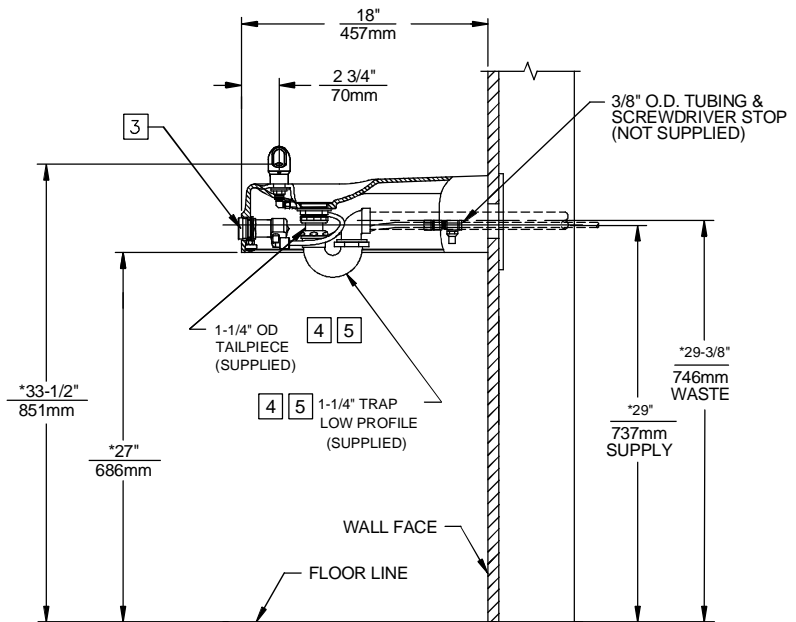
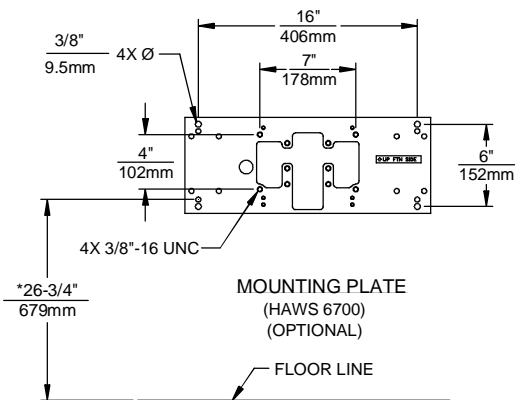
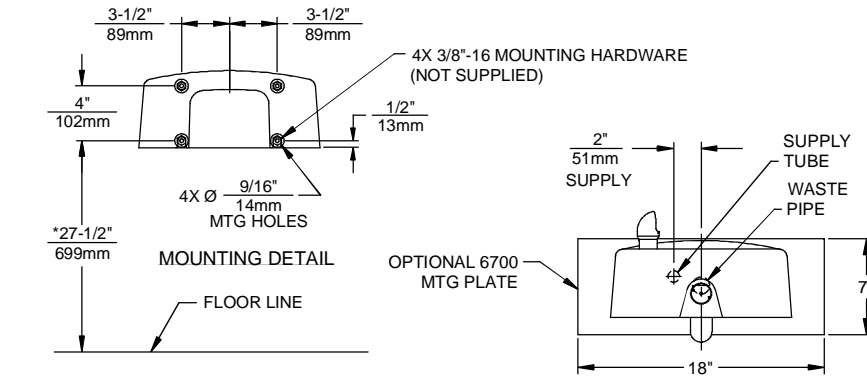
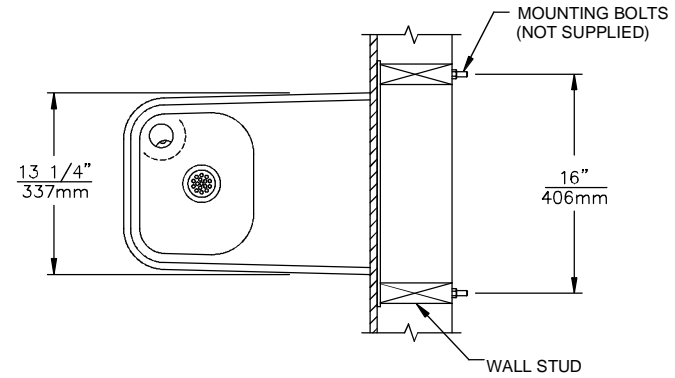


1. HOLD ROUGH-IN DIMENSIONS $\pm 1/4"$ (6.4MM).
2. WHEN INSTALLING THIS UNIT, LOCAL, STATE, OR FEDERAL CODES SHOULD BE ADHERED TO. FOR INSTALATION HEIGHTS OTHER THAN SHOWN, DIMENSIONS MARKED (*) MUST BE ADJUSTED ACCORDINGLY.
3. REFER TO 5874SS/VRK5874 OPERATION AND MAINTENANCE MANUAL FOR PUSH BUTTON AND VALVE INSTALLATION/MAINTENANCE INSTRUCTIONS.
4. SEE SHEET 2 FOR ALTERNATE PARTS SUPPLIED WITH OPTIONAL 1311TRIMCA.
5. 1311TRIMCA REPLACES THE STANDARD BOTTOM PLATE, PN PBM1311, AND 1 1/4 X 1 3/4 TAILPIECE, PN 0005743542, WITH BOTTOM PLATE, PN 0004544799, AND S-SHAPED WASTE BEND, PN 0000198950.



4 5 **1311TRIM**
STANDARD INSTALLATION
(FOR ALTERNATE 1311TRIMCA
INSTALLATION SEE SHEET 2.)

		1455 KLEPPE LANE SPARKS, NEVADA 89431 (775) 359-4712 FAX (775) 359-7424 E-MAIL: HAWS@HAWS.CO.COM WEBSITE: WWW.HAWS.CO.COM	
		ECN NO. REVISED PER BY: ECN: 4913 VWC DRAWN: DATE: 09/28/00 CHKD.: APPROVED: DATE:	MODEL(S) 1311
SCALE: 1:14 DRAWING TYPE: INSTALLATION		SIZE: A SHEET 1 OF 2	

