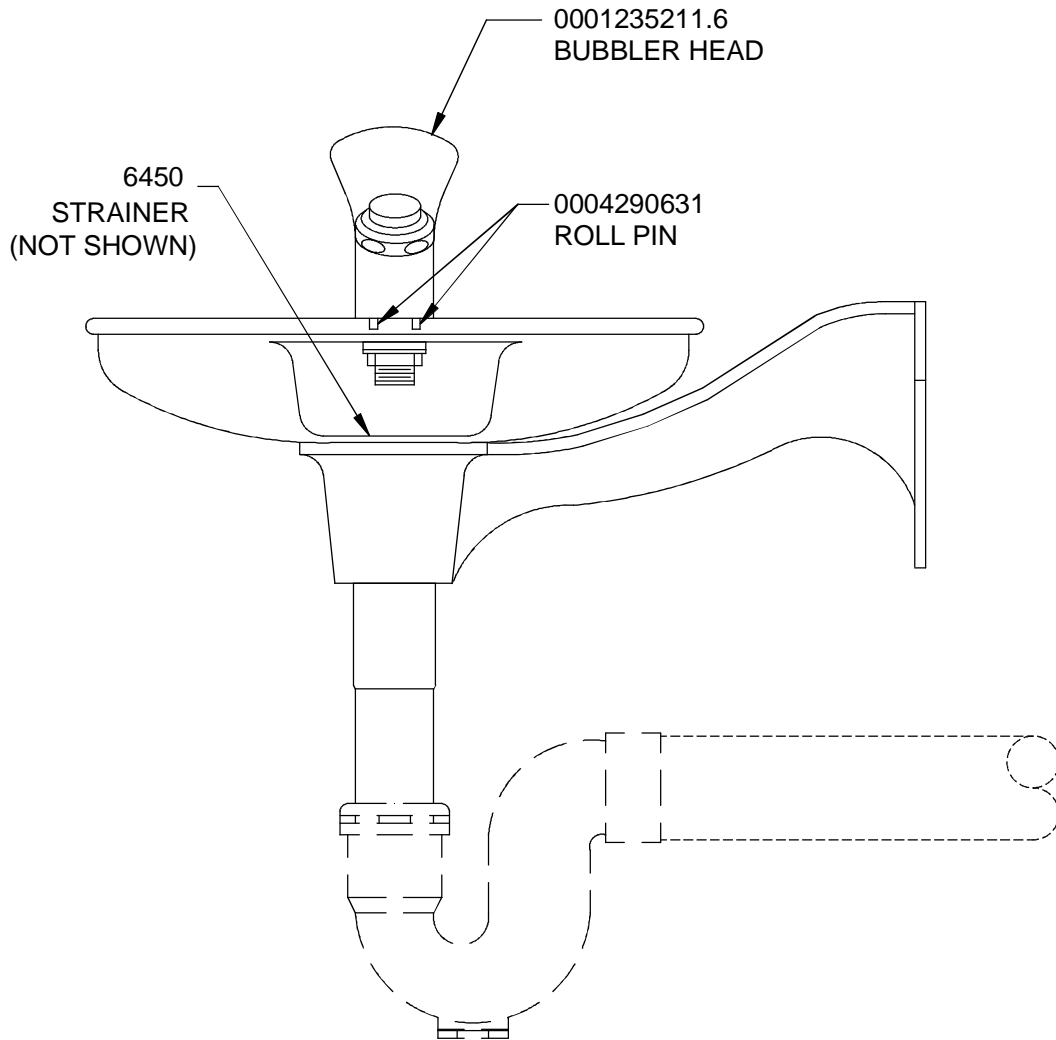


PARTS BREAKDOWN



1455 KLEPPE LANE
 SPARKS, NEVADA 89431
 (775) 359-4712 FAX (755) 359-7424
 E-MAIL: HAWS@HAWS.CO.COM
 WEBSITE: WWW.HAWS.CO.COM

ECN NO. 2195	REVISED PER ECN: 4910	BY HM	MODEL(S)	PART NUMBER
DRAWN D. OLLOM	DATE 11/25/95	CHKD	1152	0002076728
APPROVED	DATE			DRAWING NO. REV 12791C00 9
SCALE: 1:1			DRAWING TYPE: PARTS BREAKDOWN	SIZE: A SHEET 1 OF 1

WHEN ORDERING PARTS PLEASE SPECIFY MODEL NUMBER.