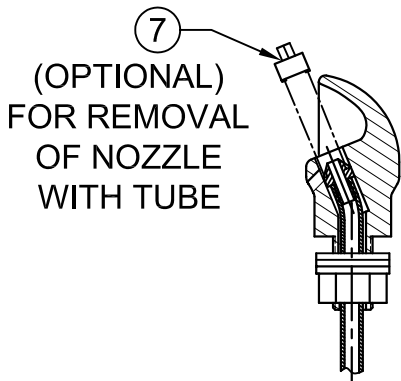
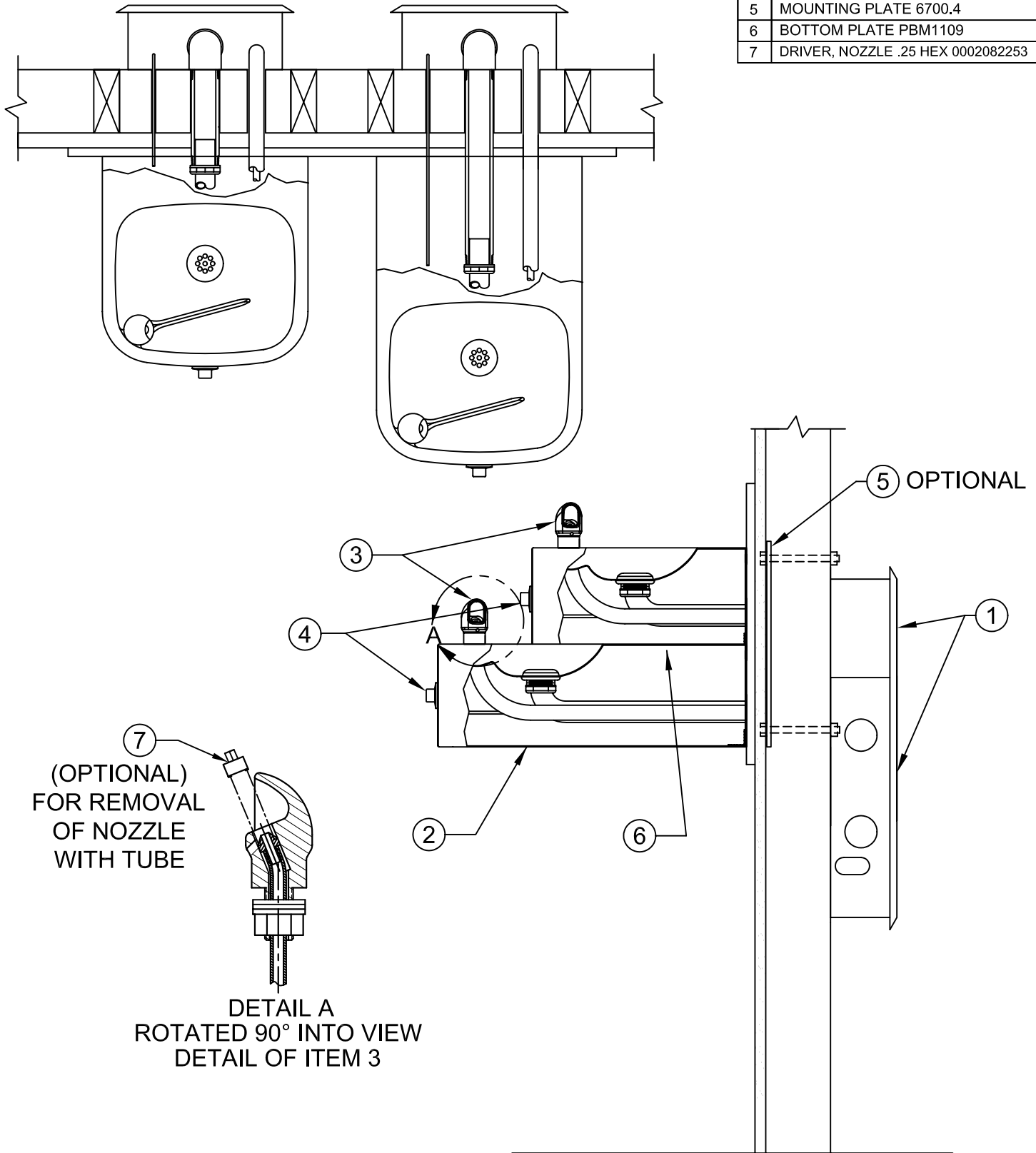



ITEM	DESCRIPTION
1	FREEZE RESISTANT VALVE 6521FR
2	BOTTOM PLATE PBM 1105
3	BUBBLER HEAD 5703M
4	PUSH BTN ASS'Y 5881PBA
5	MOUNTING PLATE 6700.4
6	BOTTOM PLATE PBM1109
7	DRIVER, NOZZLE .25 HEX 0002082253

# PARTS BREAKDOWN



DETAIL A  
ROTATED 90° INTO VIEW  
DETAIL OF ITEM 3

REV	DESCRIPTION	ECN	DATE	BY/APVD
12	UPDATED PER ECN	4177	11/30/09	HM
REVISIONS				

<b>WHEN ORDERING PARTS PLEASE SPECIFY YOUR MODEL NUMBER</b>			1455 KLEPPE LANE SPARKS, NEVADA 89431 (775) 359-4712 FAX (775) 359-7424 E-MAIL: HAWS@HAWS.CO.COM WEBSITE: WWW.HAWS.CO.COM		
	DRAWN BY: FV	DATE: 08/20/98	CHECK BY:	APPVD BY:	SCALE: 1/4
	TITLE: 1119FR DRAWING TYPE: PARTS BREAKDOWN			PART NUMBER: 0002076627	DRAWING NUMBER: 13382C00