



INSTALLATION, OPERATION & MAINTENANCE INSTRUCTIONS

1455 Kleppe Lane ♦ Sparks, NV 89431-6467 ♦ (775) 359-4712 ♦ Fax (775) 359-7424

E-mail: haws@hawsco.com ♦ website: www.hawsco.com

No. 2080223 (13)

Model 1117L Drinking Fountain

NOTE TO INSTALLER: Please leave this information with the Maintenance Department.

LIMITED WARRANTY

HAWS warrants that this specific product is guaranteed against defective material or poor workmanship for a period of **one year from date of shipment**. HAWS liability under this warranty shall be discharged by furnishing without charge F.O.B. HAWS Factory any goods; or part thereof, which shall appear to the Company upon inspection to be of defective material or not of first class workmanship, provided that claim is made in writing to Haws within a reasonable period after receipt of the product. Where claims for defects are made, the defective part or parts shall be delivered to the Company, prepaid, for inspection. HAWS will not be liable for the cost of repairs, alterations or replacements, or for any expense connected therewith made by the owner or his agents, except upon written authority from HAWS, Sparks, Nevada. HAWS will not be liable for any damages caused by defective materials or poor workmanship, except for replacements, as provided above. Buyer agrees that HAWS shall not be liable for general, special, or consequential damages claimed to arise under the contract of sale. The drinking fountain manufactured by HAWS is warranted to function if installation and maintenance instructions provided are adhered to. The units also must be used for the purpose for which they were intended.

**NO OTHER WARRANTIES EXPRESSED OR IMPLIED ARE AUTHORIZED,
PROVIDED OR GIVEN BY HAWS.**

**SHOULD YOU EXPERIENCE DIFFICULTY WITH THE INSTALLATION OF THIS
MODEL PLEASE CALL:**

TECHNICAL SUPPORT: 1-800-766-5612

FOR CUSTOMER SERVICE: 1-888-640-4297

RECOMMENDED TOOLS: Hack saw, pipe joint sealant, screwdriver, level, 12" adjustable wrench, 10" pipe wrench, 5/64" hex key wrench, 9/16", 1/2", 7/16" socket wrench or open end wrench.

LOCATION OF UNIT: The Model 1117L Drinking Fountain is a wheelchair accessible drinking water facility. The height dimensions that are shown meet current ADA requirements. When installing this unit, local, state or federal codes should be adhered to. If height other than shown is required, then dimensions must be adjusted accordingly.

SUPPLY LINE: The minimum recommended line size is 1/2"IPS with 30-90 psi (2-6 ATM) flowing pressure. Where sediment or mineral content is a problem, an inlet filter is recommended.

PLUMBING CONNECTIONS: Inlet is 3/8"O.D. push-in type fitting. Waste outlet is female 1-1/4" IPS.

MAINTENANCE: Periodically clean the strainer. Refer to 5874SS Valve Manual for more information.

INSTALLATION PROCEDURE

GENERAL NOTES:

1. For all plastic push-in type fitting connections, only connect NSF-61 copper or plastic tubing. Stainless steel or glass tubing is not recommended. The following assembly instructions must be followed to ensure a watertight connection:
 - a. Cut tubing square and clean.
 - b. Mark from end of tube the length of insertion (See table below).
 - c. Push tube into the fitting until it bottoms out.
 - d. To remove, depress collet and pull tubing out.

Tube Sizes	O.D. Tolerance	Insertion Depth
1/4"	±.005"	11/16"
3/8"	±.005"	3/4"
1/2"	±.005"	7/8"

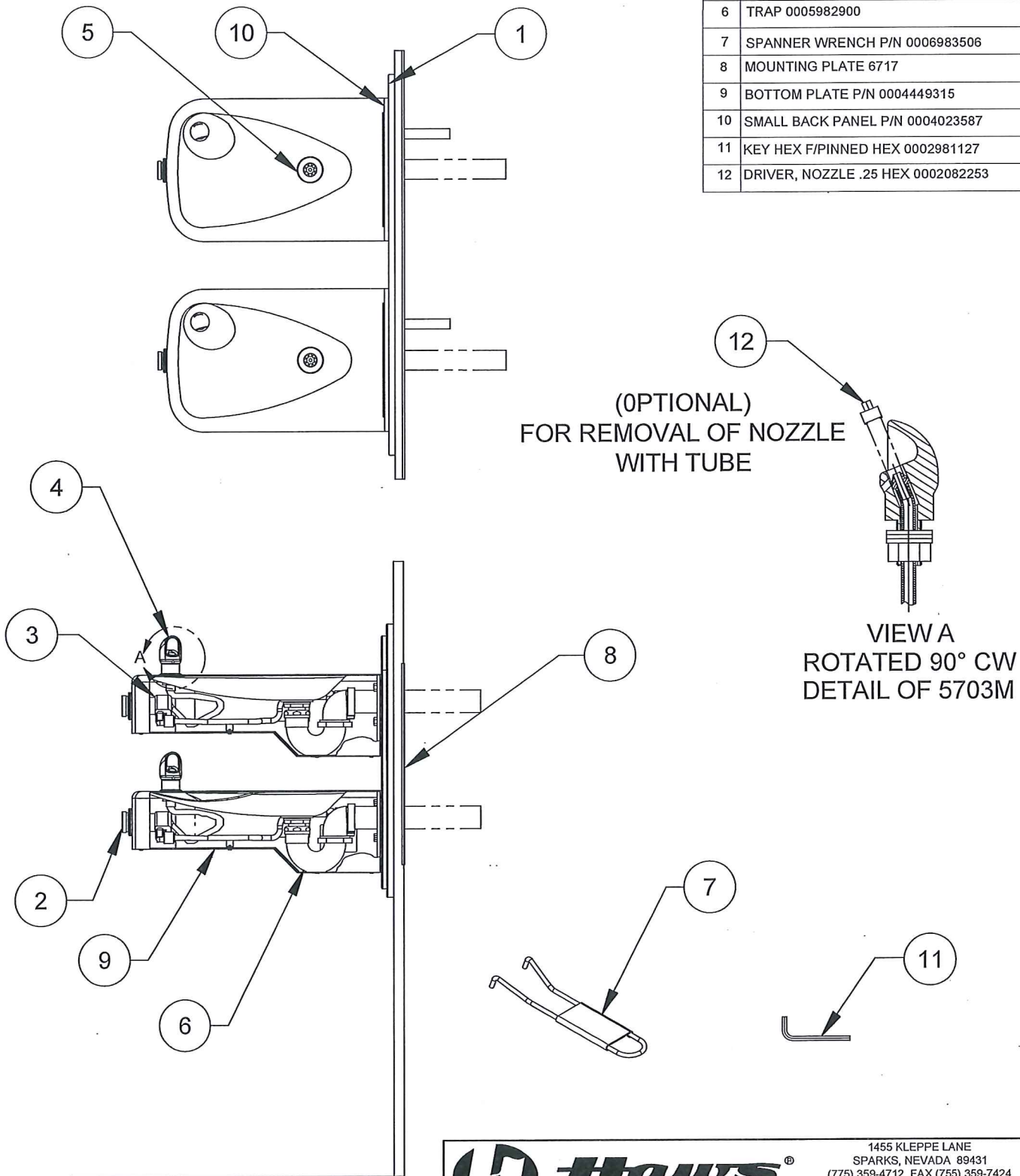
TROUBLESHOOTING

PROBLEM	REPAIR CHECKLIST
1. Insufficient bubbler flow.	1a. Check that inlet screwdriver stop valve is wide open. Turn counter-clockwise. b. Verify minimum 30 psi flowing supply pressure. c. Clean strainer. See 5874SS Valve Manual d. Adjust valve to increase flow. Use front adjust screw or see 5874SS Valve Manual.


For more information about Haws products, see our website: www.hawsc.com

ITEM	DESCRIPTION
1	BACK PANEL P/N 0004023590
2	BUTTON PBA6
3	VALVE 5874SS
4	BUBBLER HEAD 5703M
5	STRAINER ASSY 6462
6	TRAP 0005982900
7	SPANNER WRENCH P/N 0006983506
8	MOUNTING PLATE 6717
9	BOTTOM PLATE P/N 0004449315
10	SMALL BACK PANEL P/N 0004023587
11	KEY HEX F/PINNED HEX 0002981127
12	DRIVER, NOZZLE .25 HEX 0002082253

PARTS BREAKDOWN



WHEN ORDERING PARTS PLEASE SPECIFY MODEL NUMBER.



1455 KLEPPE LANE
SPARKS, NEVADA 89431
(775) 359-4712 FAX (755) 359-7424
E-MAIL: HAWS@HAWSO.COM
WEBSITE: WWW.HAWSO.COM

ECN NO. REVISED PER BY ECN: 4828 HM	MODEL(S) 1117L	PART NUMBER 0002080223	DRAWING NO. REV 15288A00 13
DRAWN DATE CHKD C. FENNER 10/26/05 11/1/07	APPROVED DATE 11/1/07	SCALE: 1:1	DRAWING TYPE: PARTS BREAKDOWN

SIZE: A SHEET 1 OF 1

NOTES:

1. HOLD ROUGH-IN DIMENSIONS $\pm \frac{1}{8}$ " (3.2mm).
2. WHEN INSTALLING THIS UNIT, LOCAL, STATE, OR FEDERAL CODES SHOULD BE ADHERED TO. FOR INSTALLATION HEIGHTS OTHER THAN SHOWN, DIMENSIONS MARKED (*) MUST BE ADJUSTED ACCORDINGLY.
3. REFER TO 58755 OPERATION AND MAINTENANCE MANUAL FOR PUSH BUTTON AND VALVE INSTALLATION/MAINTENANCE INSTRUCTIONS.
4. ROUGH-IN DIMENSIONS FOR FOUNTAIN HEIGHTS:

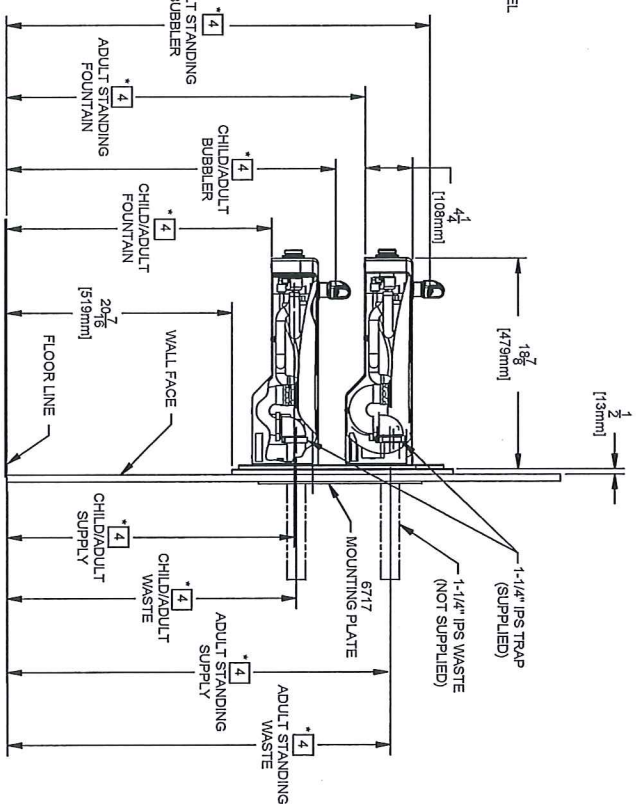
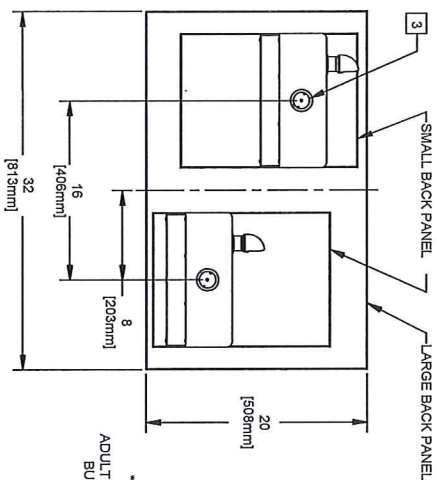
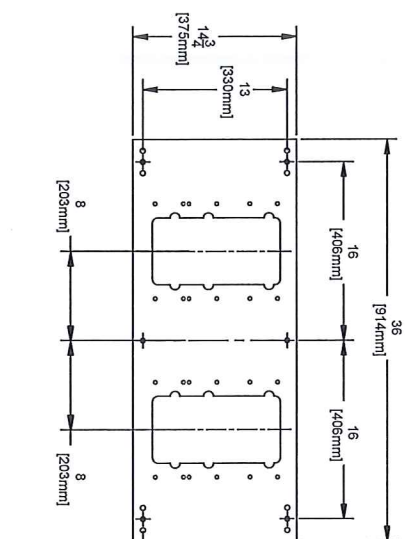
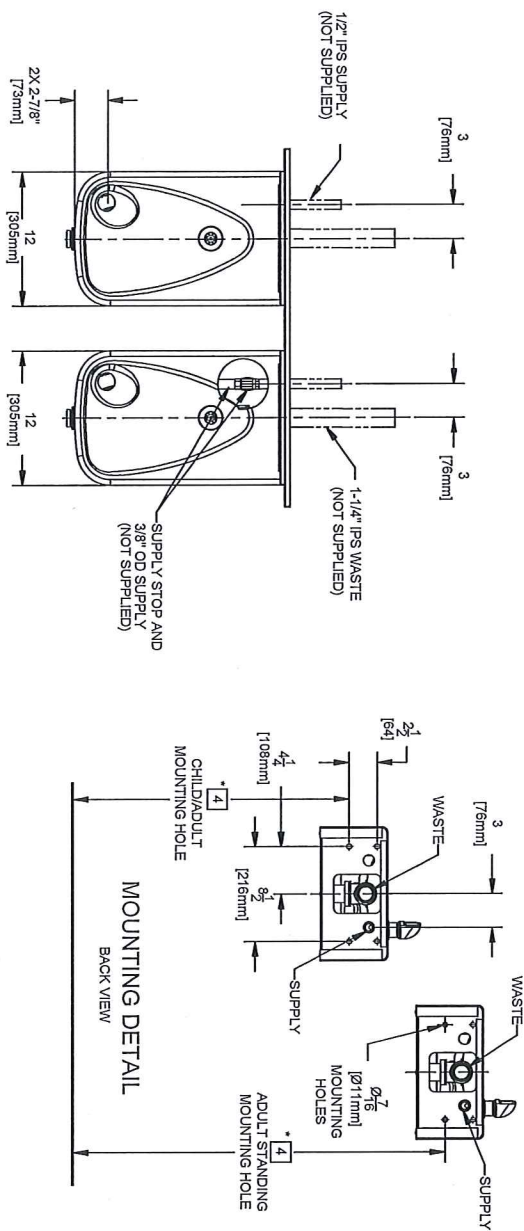
- CHILD WHEELCHAIR HEIGHT: SEE SHT 2 FIG 1
 WASTE: 26-1/4" (667mm)
 SUPPLY: 26-1/8" (664mm)
 MOUNTING HOLE: 24-13/16" (630mm)
 FOUNTAIN: 24" (610mm)
 BUBBLER: 29-7/8" (756mm)

- ADULT WHEELCHAIR HEIGHT: SEE SHT 2 FIG 2
 WASTE: 29-1/4" (743mm)
 SUPPLY: 29-1/8" (740mm)
 MOUNTING HOLE: 27-13/16" (706mm)
 FOUNTAIN: 27" (686mm)
 BUBBLER: 32-7/8" (832mm)

- STANDING ADULT HEIGHT: SEE SHT 2 FIG 3
 WASTE: 34-3/4" (883mm)
 SUPPLY: 34-5/8" (879mm)
 MOUNTING HOLE: 33-5/16" (846mm)
 FOUNTAIN: 32-1/5" (826mm)
 BUBBLER: 38-3/8" (972mm)

5. REFER TO MODEL 1117L INSTALLATION DRAWING SHEET 2 OF 2 (ON HAWS WEBSITE WWW.HAWS.CO.COM) FOR PERMISSIBLE BOWL MOUNTING PATTERNS. TWO WHEELCHAIR HEIGHT FOUNTAINS CANNOT BE MOUNTED SIDE BY SIDE PER ANSI A117.1.

NOTES CONTINUED ON SHEET 2 OF 2



MOUNTING PLATE
(STANDARD HAWS 6717)

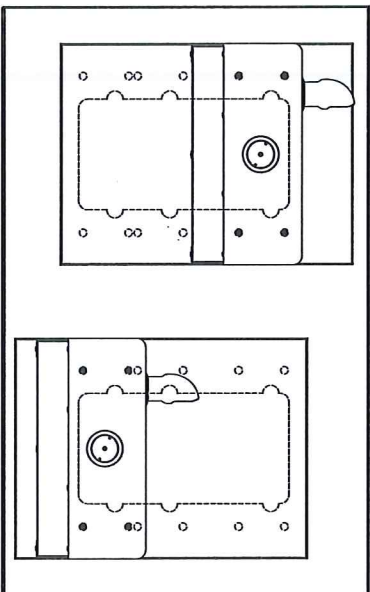


1455 KLEPPE LANE
 SPARKS, NEVADA 89431
 (775) 359-4712 FAX (755) 359-1424
 E-MAIL: HAWS@HAWSCO.COM
 WEBSITE: WWW.HAWSCO.COM

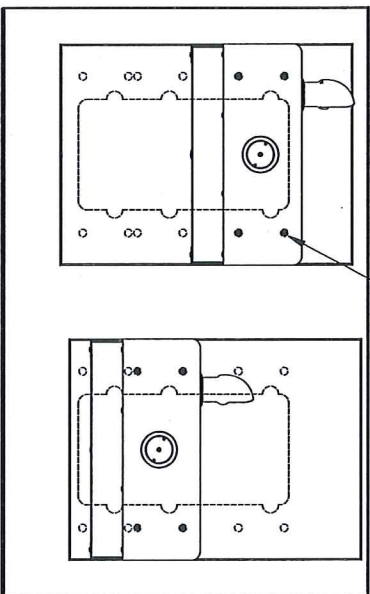
ECN NO.	REVISED PER BY:	MODEL(S)
EGN: 4828	HJM	1117L
DRAWN:	DATE:	
C. FENNER	11/09	
APPROVER:	SCALE:	DRAWING TYPE:
	1:1	INSTALLATION
	SIZE: A	SHEET: 1 OF 2
PART NUMBER:	0002080223 D	
ISSUING NO.:	15289A00	
REV:	13	

NOTES:

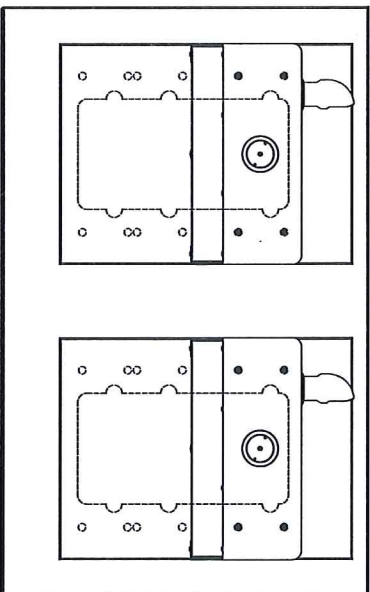
- 6 FIGURES 1 AND 2 ARE REVERSIBLE. CAN BE RIGHT OR LEFT SIDE HIGH.
- 7 USE SHADED HOLES TO MOUNT AT INDICATED POSITIONS BASED ON COMBINATION SELECTED (FIGS. 1 THRU 3).
- 8. REFER TO SHEET 1 OF 2 NOTE 4 FOR INSTALLED FOUNTAIN DIMENSIONS.



6
FIGURE 1.
ADULT STANDING/CHILD WHEELCHAIR



6
FIGURE 2.
ADULT STANDING/ADULT WHEELCHAIR



6
FIGURE 3.
ADULT STANDING/ADULT STANDING

BOWL MOUNTING PATTERNS



Haws®

1455 KLEPPPE LANE
SPARKS, NEVADA 89431
(775) 359-4712 FAX (759) 359-7424
E-MAIL: HAWS@HAWS.CO.COM
WEBSITE: WWW.HAWS.CO.COM

EON NO. REVISED PER BY:	MODEL(S)	PART NUMBER
DRAWN: EON: 4828	1117L	0002080223.D
DATE: 1/20/13		REV
CHKD: C. FENNER		13
APPROVER: <i>[Signature]</i>	SCALE: 1:1	DRAWING TYPE: INSTALLATION
	SIZE: A	SHEET: 2 OF 2