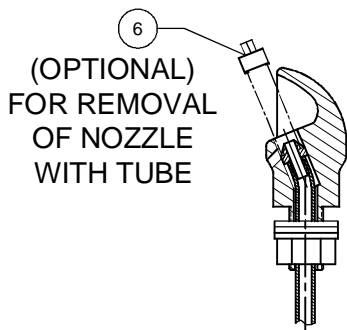
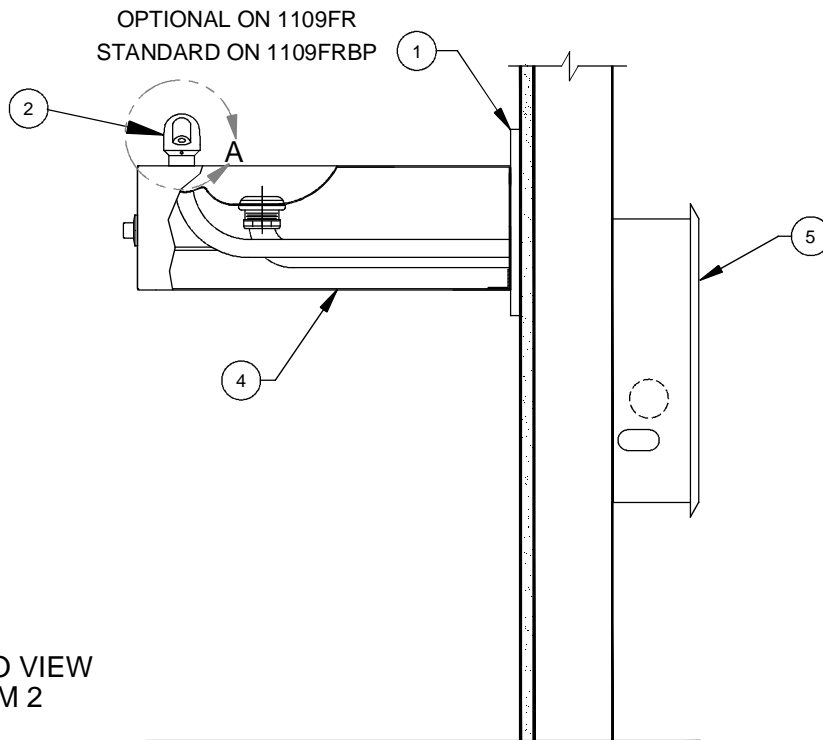
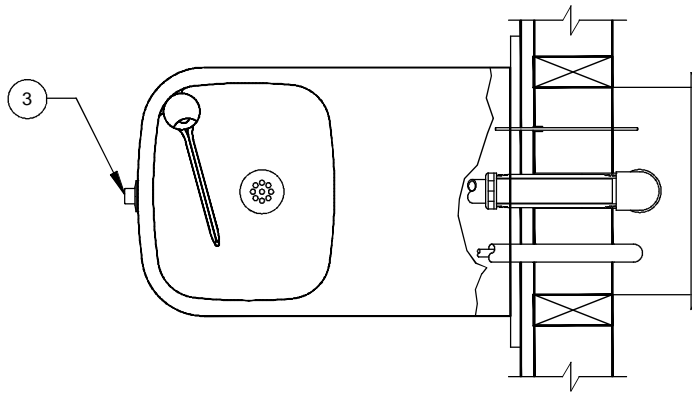


ITEM	DESCRIPTION	PART NO.
1	BACK PANEL	BP3
2	BUBBLER HEAD	5703M
3	PUSH BTN ASS'Y	5881PBA
4	BOTTOM PLATE	PBM1109
5	FREEZE RESISTANT VALVE	6521FR
6	DRIVER, NOZZLE .25 HEX	0002082253

# PARTS BREAKDOWN



DETAIL A  
ROTATED 90° INTO VIEW  
DETAIL OF ITEM 2

		<b>Haws</b> ®		1455 KLEPPE LANE SPARKS, NEVADA 89431 (775) 359-4712 FAX (775) 359-7424 E-MAIL: HAWS@HAWS.CO.COM WEBSITE: WWW.HAWS.CO.COM	
		ECN NO. REVISED PER BY ECN: 5013 FV	MODEL(S) 1109FR/1109FRBP	PART NUMBER 0002076626	
DRAWN FV DATE 06/09/09	CHECKED DATE	APPROVED ADM DATE 07/21/15	SCALE: 1:4	DRAWING TYPE: PARTS BREAKDOWN	SIZE: A SHEET 1 OF 1

WHEN ORDERING PARTS PLEASE SPECIFY MODEL NUMBER.