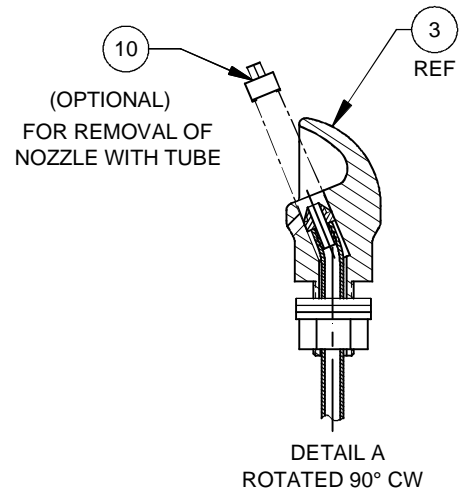
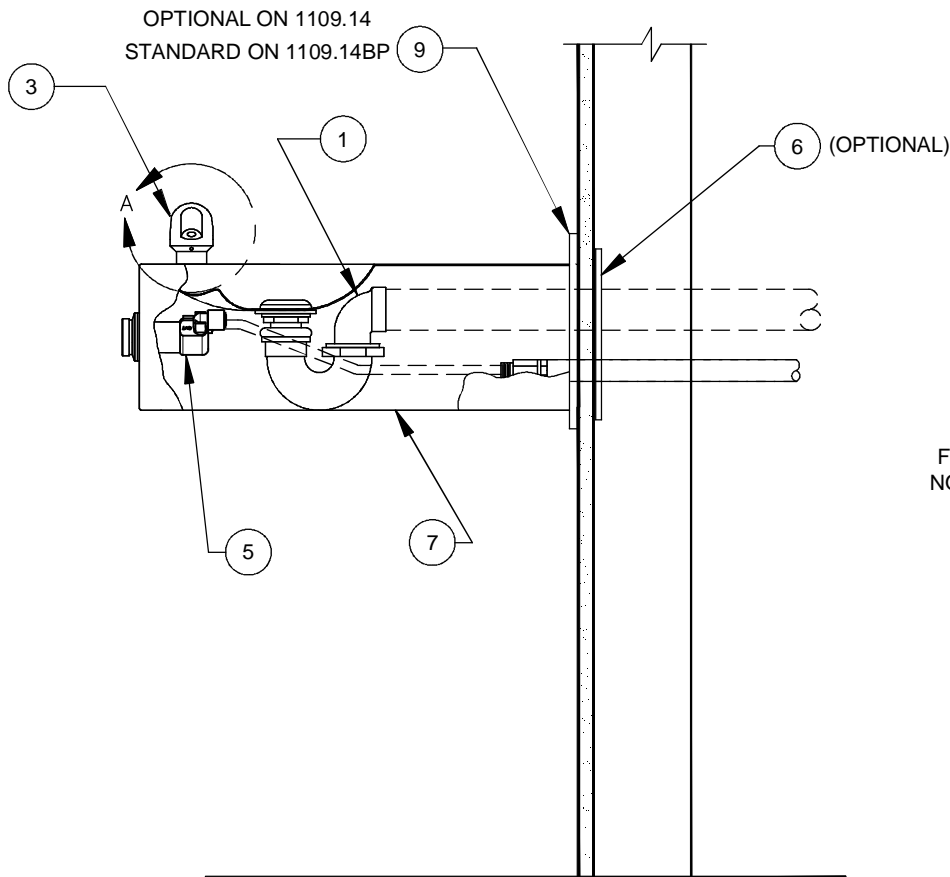
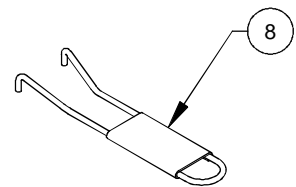
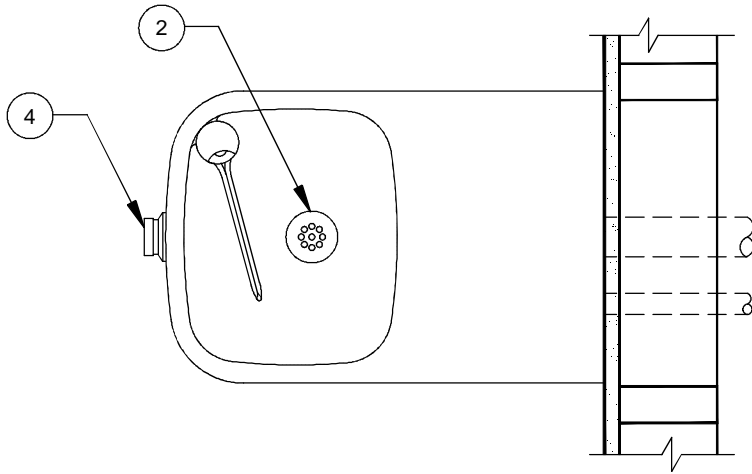



PARTS BREAKDOWN

ITEM	DESCRIPTION
1	TRAP 0005982900
2	STRAINER ASSEMBLY 6462
3	BUBBLER HEAD 5703M
4	PUSH BUTTON ASSEMBLY PBA6
5	VALVE 5874SS
OPTIONAL 6	MOUNTING PLATE 6700
7	ACCESS PLATE PBM1109
8	SPANNER WRENCH P/N 0006983506
9	BACK PANEL BP3
OPTIONAL 10	DRIVER, NOZZLE .25 HEX 0002082253



WHEN ORDERING PARTS PLEASE SPECIFY MODEL NUMBER.



1455 KLEPPE LANE
SPARKS, NEVADA 89431
(775) 359-4712 FAX (755) 359-7424
E-MAIL: HAWS@HAWSO.COM
WEBSITE: WWW.HAWSO.COM

ECN NO. REVISED PER BY		MODEL(S)	PART NUMBER
ECN: 4797	HM		
DRAWN DATE	CHKD	SCALE: 1:1 DRAWING TYPE: INSTALLATION SIZE: A SHEET 1 OF 1	DRAWING NO. REV
APPROVED DATE			13376C00 14