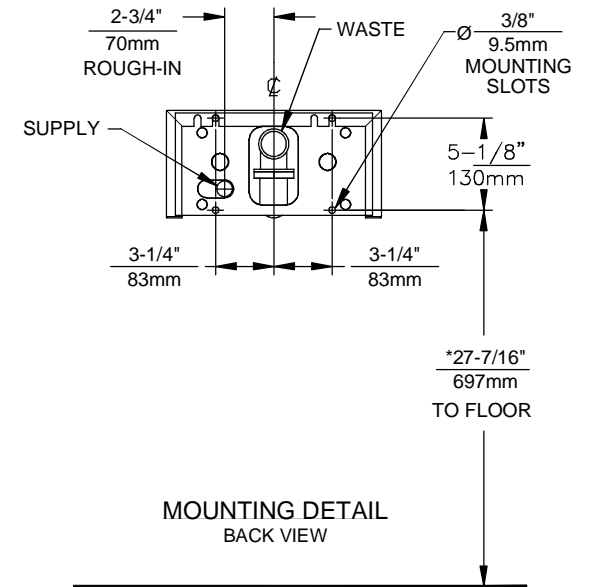
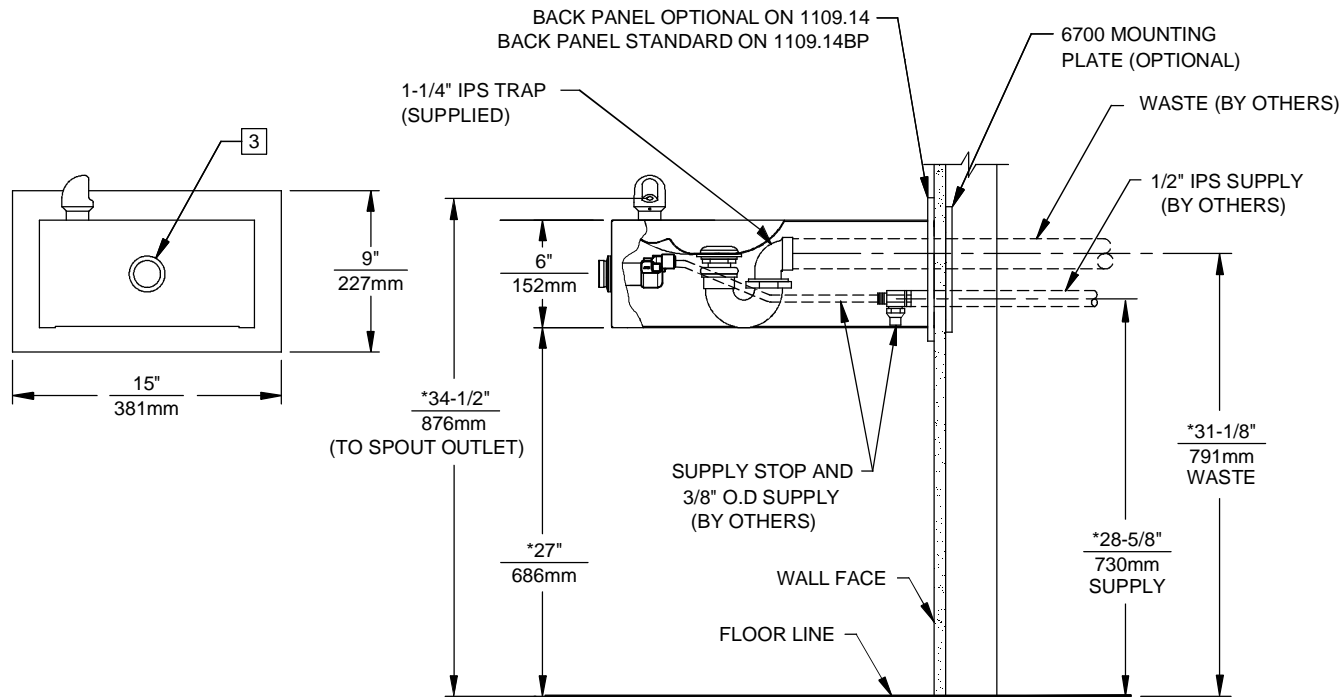


MOUNTING PLATE
(OPTIONAL, HAWS 6700)



MOUNTING DETAIL
BACK VIEW

NOTES:

- HOLD ROUGH-IN DIMENSIONS $\pm 1/4"$ (6.4mm).
 - WHEN INSTALLING THIS UNIT, LOCAL, STATE OR FEDERAL CODES SHOULD BE ADHERED TO. FOR INSTALLATION HEIGHTS OTHER THAN SHOWN, DIMENSIONS MARKED (*) MUST BE ADJUSTED ACCORDINGLY.
- 3 REFER TO 5874SS/VRK5874 OPERATION AND MAINTENANCE MANUAL FOR PUSH BUTTON AND VALVE INSTALLATION/MAINTENANCE INSTRUCTONS.

		1455 KLEPPE LANE SPARKS, NEVADA 89431 (775) 359-4712 FAX (755) 359-7424 E-MAIL: HAWS@HAWSCO.COM WEBSITE: WWW.HAWS.CO.COM	
		ECN NO. REVISED PER BY: ECN: 4797 HM DRAWN: DATE: CHKD.: F. VASQUEZ 06/98 APPROVED: DATE:	MODEL(S) 1109.14/1109.14BP
SCALE: 1:1		DRAWING TYPE: INSTALLATION	
SIZE: A		SHEET 1 OF 1	