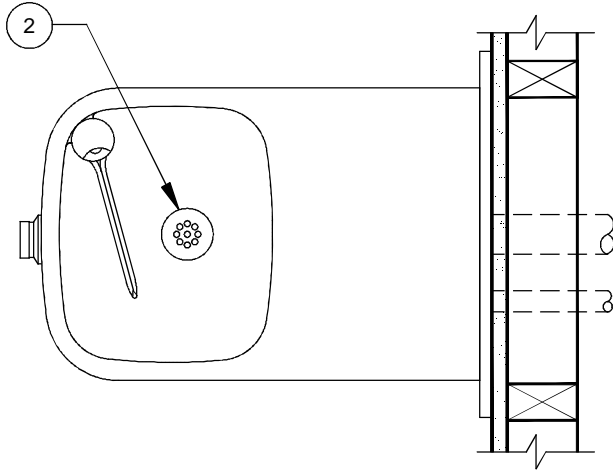
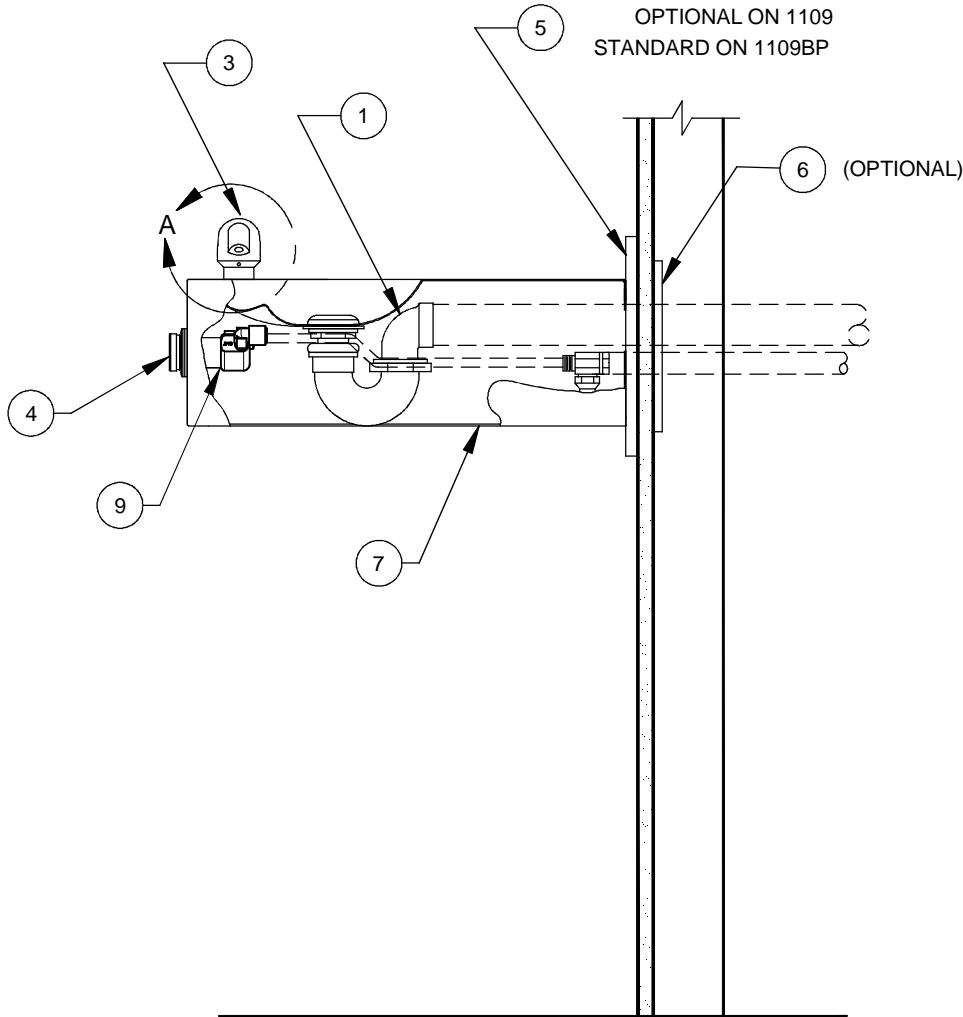


PARTS BREAKDOWN

ITEM	DESCRIPTION
1	TRAP 0005982900
2	STRAINER ASSY 6462
3	BUBBLER HEAD 5703M
4	PUSH BTN ASS'Y PBA6
5	BACK PANEL BP3
OPTIONAL 6	MOUNTING PLATE 6700
7	ACCESS PLATE PBM1109
8	SPANNER WRENCH P/N 0006983506
9	VALVE 5874SS
OPTIONAL 10	DRIVER, NOZZLE .25 HEX 0002082253




OPTIONAL ON 1109
STANDARD ON 1109BP



(OPTIONAL)
FOR REMOVAL OF
NOZZLE WITH
TUBE

DETAIL A
ROTATED 90° CW

WHEN ORDERING PARTS PLEASE SPECIFY MODEL NUMBER.

		1455 KLEPPE LANE SPARKS, NEVADA 89431 (775) 359-4712 FAX (775) 359-7424 E-MAIL: HAWS@HAWSCO.COM WEBSITE: WWW.HAWSCO.COM	
		ECN NO. REVISED PER BY ECN: 4797 HM	MODEL(S) 1109/1109BP
DRAWN F. VASQUEZ	DATE 03/17/98	CHKD DATE	DRAWING NO. 13375C00
APPROVED	DATE	SCALE: 1:1	DRAWING TYPE: INSTALLATION SIZE: A SHEET 1 OF 1