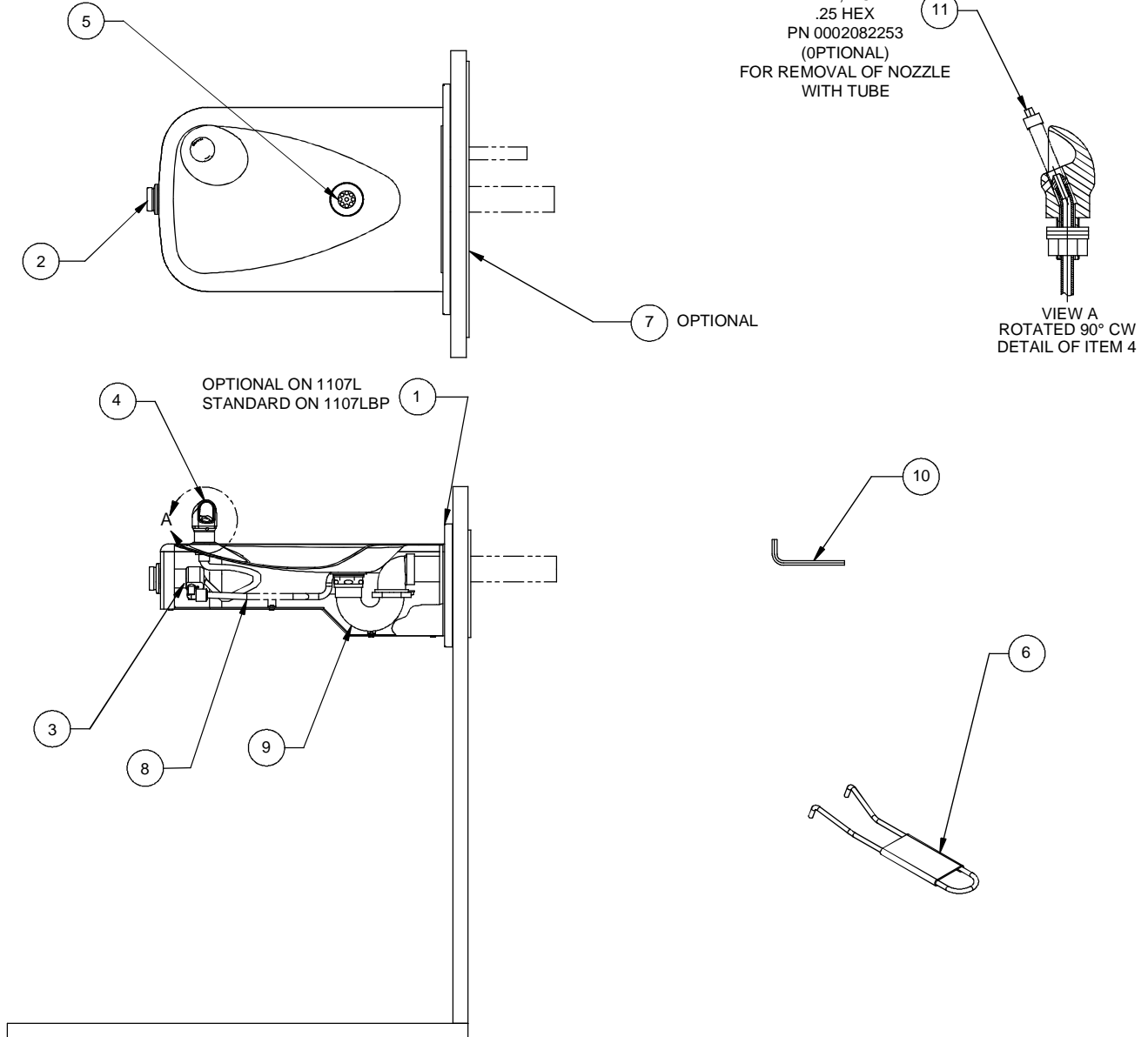


PARTS BREAKDOWN

	ITEM	DESCRIPTION
OPTIONAL	1	BACK PANEL BP7
	2	BUTTON PBA6
	3	VALVE 5874SS
	4	BUBBLER HEAD 5703M
	5	STRAINER ASSY 6462
	6	SPANNER WRENCH P/N 0006983506
OPTIONAL	7	MOUNTING PLATE 6700
	8	BOTTOM PLATE PBM1107
	9	TRAP 0005982900
OPTIONAL	10	KEY HEX F/PINNED HEX 0002981127
	11	DRIVER, NOZZLE .25 HEX 0002082253



		1455 KLEPPE LANE SPARKS, NEVADA 89431 (775) 359-4712 FAX (775) 359-7424 E-MAIL: HAWS@HAWS.CO.COM WEBSITE: WWW.HAWS.CO.COM	
		ECN NO: 4938 REVISED PER: HM DATE: 10/25/06 CHKD:	MODEL(S) 1107L/1107LBP
DRAWN: C. FENNER APPROVED: FV		DATE: 01/08/15	DRAWING NO.: 15266A00 REV: 13
SCALE: 1:1		DRAWING TYPE: PARTS BREAKDOWN	SIZE: A SHEET 1 OF 1

WHEN ORDERING PARTS PLEASE SPECIFY YOUR MODEL NUMBER