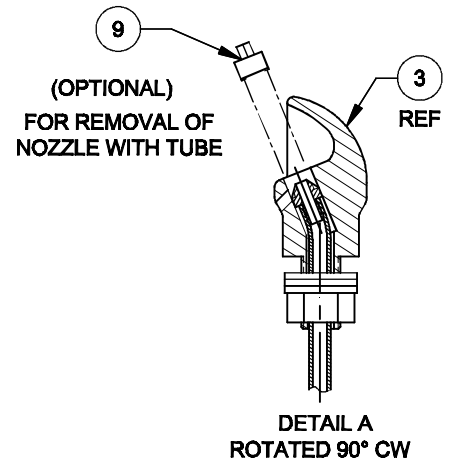
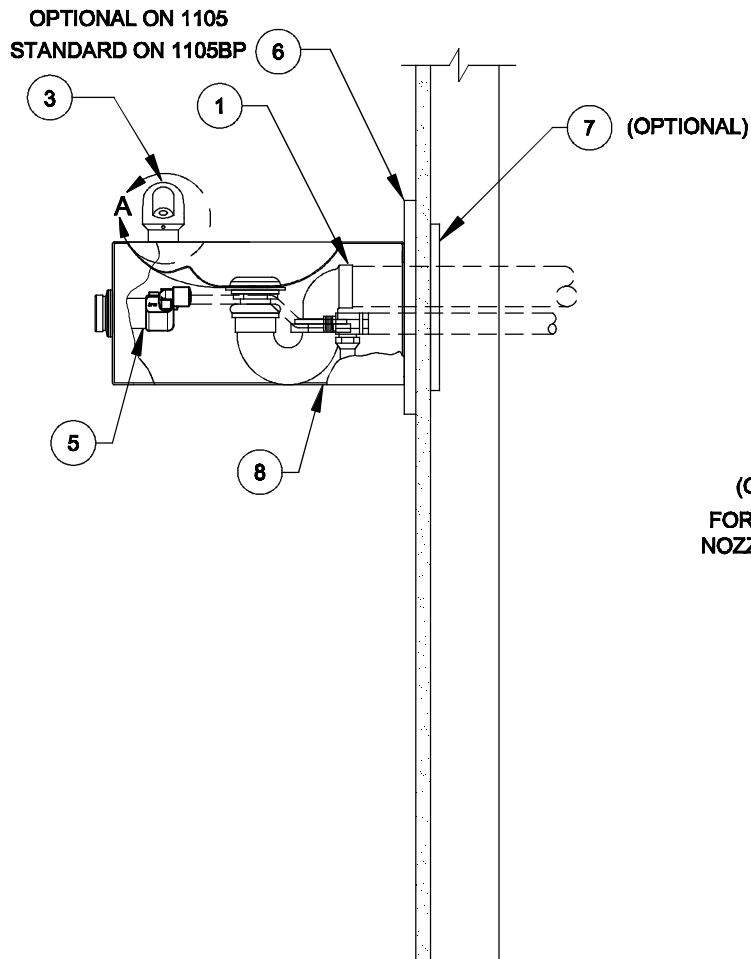
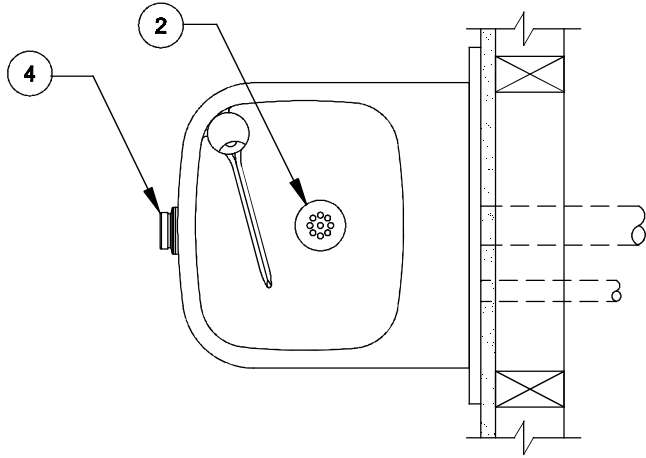


PARTS BREAKDOWN

ITEM	DESCRIPTION
1	TRAP 0005982900
2	STRAINER ASSEMBLY 6462
3	BUBBLER HEAD 5703M
4	PUSH BUTTON ASSEMBLY PBA6
5	VALVE 5874 SS
6	BACK PANEL BP3
OPTIONAL 7	MOUNTING PLATE 6700
8	ACCESS PLATE PBM1105
OPTIONAL 9	DRIVER, NOZZLE .25 HEX 0002082253



1455 KLEPPE LANE
SPARKS, NEVADA 89431
(775) 359-4712 FAX (775) 359-7424
E-MAIL: HAWS@HAWSCO.COM
WEBSITE: WWW.HAWSCO.COM

ECN NO.	REVISED PER	BY
	ECN: 4828	HM
DRAWN	DATE	CHKD
F. VASQUEZ	04/10/88	
APPROVED	DATE	

MODEL(S)

1105/1105BP

PART NUMBER	
0002076524	
DRAWING NO.	REV
13374C00	16

WHEN ORDERING PARTS PLEASE SPECIFY MODEL NUMBER.

SCALE: 1:1 | DRAWING TYPE: PARTS BREAKDOWN | SIZE: A | SHEET 1 OF 1