



# INSTALLATION, OPERATION & MAINTENANCE INSTRUCTIONS

1455 Kleppe Lane ♦ Sparks, NV 89431-6467 ♦ (775) 359-4712 ♦ Fax (775) 359-7424  
E-mail: [haws@hawsco.com](mailto:haws@hawsco.com) ♦ website: [www.hawsco.com](http://www.hawsco.com)

No. 2076524(16)

## Model 1105/1105BP Drinking Fountain

**NOTE TO INSTALLER:** Please leave this information with the Maintenance Department.

### LIMITED WARRANTY

HAWS warrants that this specific product is guaranteed against defective material or poor workmanship for a period of **one year from date of shipment**. HAWS liability under this warranty shall be discharged by furnishing without charge F.O.B. HAWS Factory any goods, or part thereof, which shall appear to the Company upon inspection to be of defective material or not of first class workmanship, provided that claim is made in writing to Haws within a reasonable period after receipt of the product. Where claims for defects are made, the defective part or parts shall be delivered to the Company, prepaid, for inspection. HAWS will not be liable for the cost of repairs, alterations or replacements, or for any expense connected therewith made by the owner or his agents, except upon written authority from HAWS, Sparks, Nevada. HAWS will not be liable for any damages caused by defective materials or poor workmanship, except for replacements, as provided above. Buyer agrees that HAWS shall not be liable for general, special, or consequential damages claimed to arise under the contract of sale. The drinking fountain manufactured by HAWS is warranted to function if installation and maintenance instructions provided are adhered to. The units also must be used for the purpose for which they were intended.

**NO OTHER WARRANTIES EXPRESSED OR IMPLIED ARE AUTHORIZED,  
PROVIDED OR GIVEN BY HAWS.**

**SHOULD YOU EXPERIENCE DIFFICULTY WITH THE INSTALLATION OF THIS  
MODEL PLEASE CALL:**

**TECHNICAL SUPPORT: 1-800-766-5612**

**FOR CUSTOMER SERVICE: 1-888-640-4297**

**RECOMMENDED TOOLS:** Hack saw, pipe joint sealant, screwdriver, level, 12" adjustable wrench, 10" pipe wrench, 5/64" hex key wrench, 9/16", 1/2", 7/16" socket wrench or open end wrench.

**LOCATION OF UNIT:** When installing Model 1105/1105BP Drinking Fountain, local, state or federal codes should be adhered to. If height other than shown is required, then dimensions must be adjusted accordingly.

**SUPPLY LINE:** The minimum recommended line size is 1/2"IPS with 30-90 psi (2-6 ATM) pressure. Where sediment or mineral content is a problem, an inlet filter is recommended.

**PLUMBING CONNECTIONS:** Inlet is 3/8"O.D. push-in type fitting. Waste outlet is female 1-1/4" IPS.

**MAINTENANCE:** Periodically clean the strainer. Refer to 5874SS Valve Manual for more information.

## INSTALLATION PROCEDURE

### GENERAL NOTES:

1. For all plastic push-in type fitting connections, only connect NSF-61 copper or plastic tubing. Stainless steel or glass tubing is not recommended. The following assembly instructions must be followed to ensure a watertight connection:
  - a. Cut tubing square and clean.
  - b. Mark from end of tube the length of insertion (See table below).
  - c. Push tube into the fitting until it bottoms out.
  - d. To remove, depress collet and pull tubing out.

Tube Sizes	O.D. Tolerance	Insertion Depth
1/4"	±.005"	11/16"
3/8"	±.005"	3/4"
1/2"	±.005"	7/8"

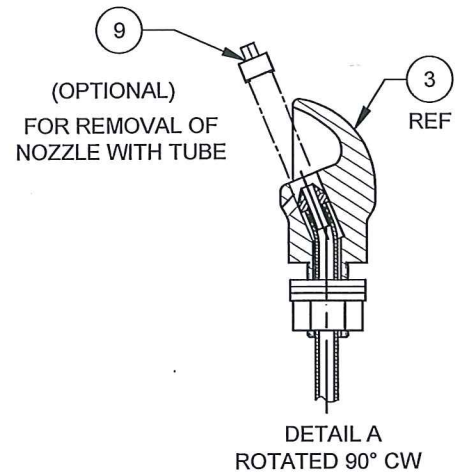
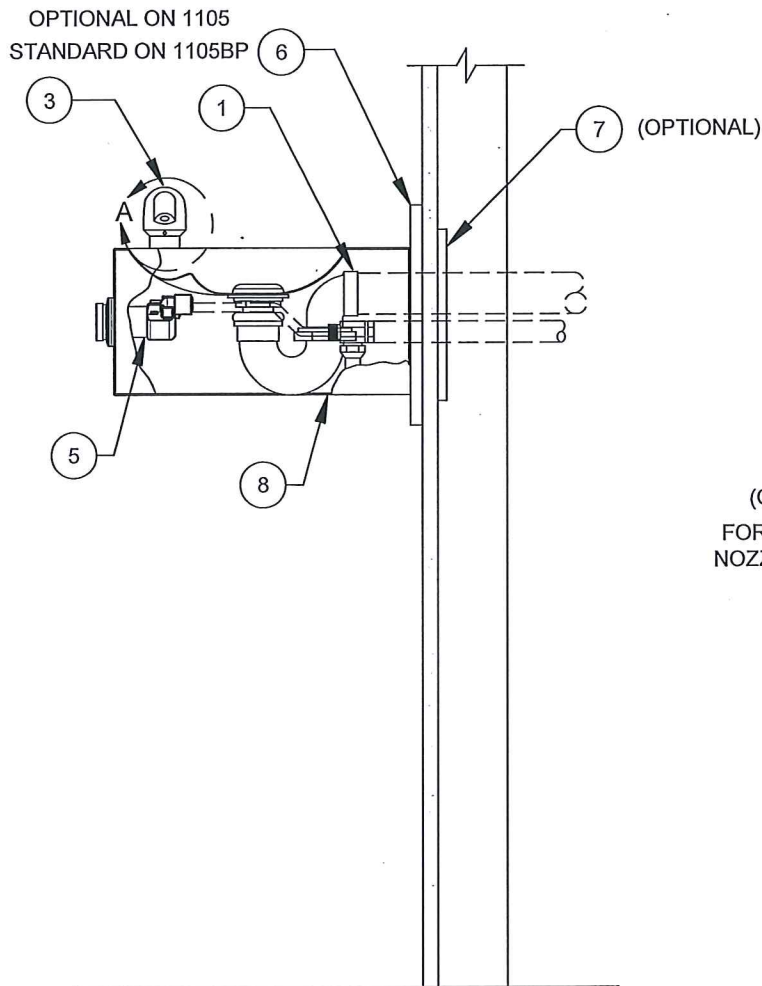
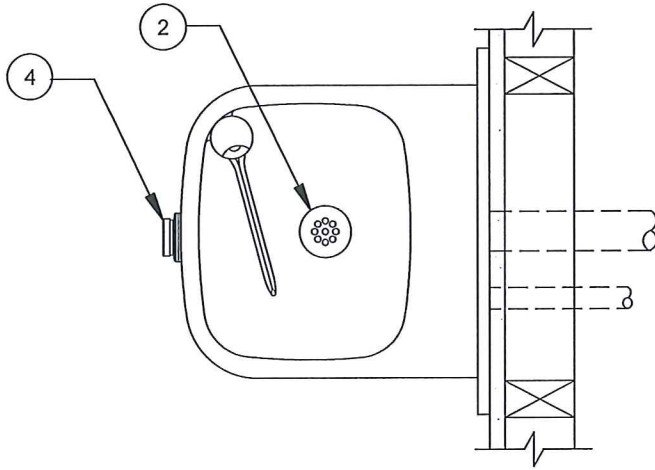
## TROUBLESHOOTING

PROBLEM	REPAIR CHECKLIST
1. ... Insufficient bubbler flow.	<ol style="list-style-type: none"> <li>1a. Check that inlet screwdriver stop valve is wide open. (Customer supplied). Turn counterclockwise.</li> <li>b. Verify minimum 30 psi flowing supply pressure.</li> <li>c. Clean strainer. See 5874SS Valve Manual.</li> <li>d. Adjust valve to increase flow. Use front adjust screw or see 5874SS Valve Manual.</li> </ol>

For more information about Haws products, see our website: [www.hawsc.com](http://www.hawsc.com)

# PARTS BREAKDOWN

ITEM	DESCRIPTION
1	TRAP 0005982900
2	STRAINER ASSEMBLY 6462
3	BUBBLER HEAD 5703M
4	PUSH BUTTON ASSEMBLY PBA6
5	VALVE 5874 SS
6	BACK PANEL BP3
OPTIONAL 7	MOUNTING PLATE 6700
8	ACCESS PLATE PBM1105
OPTIONAL 9	DRIVER, NOZZLE .25 HEX 0002082253



WHEN ORDERING PARTS PLEASE SPECIFY MODEL NUMBER.



**Haws**®

1455 KLEPPE LANE  
SPARKS, NEVADA 89431  
(775) 359-4712 FAX (755) 359-7424  
E-MAIL: HAWS@HAWS.CO.COM  
WEBSITE: WWW.HAWS.CO.COM

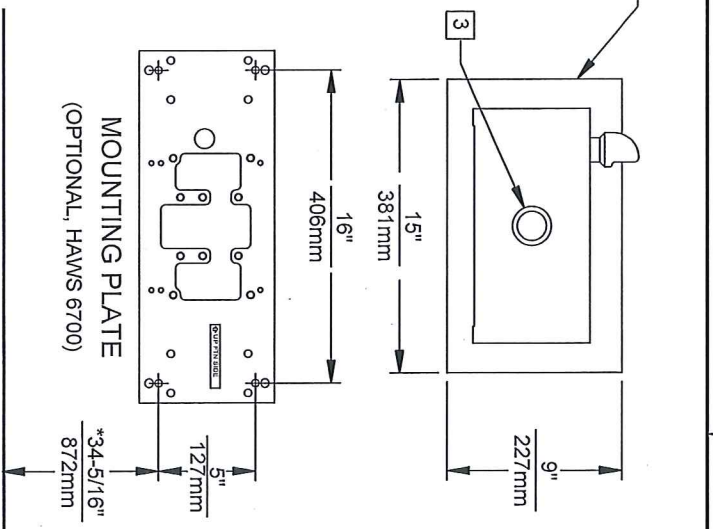
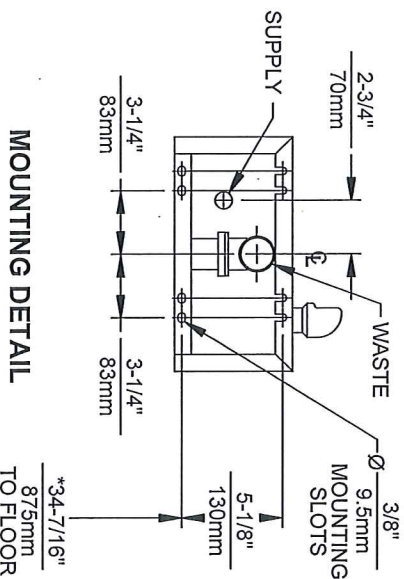
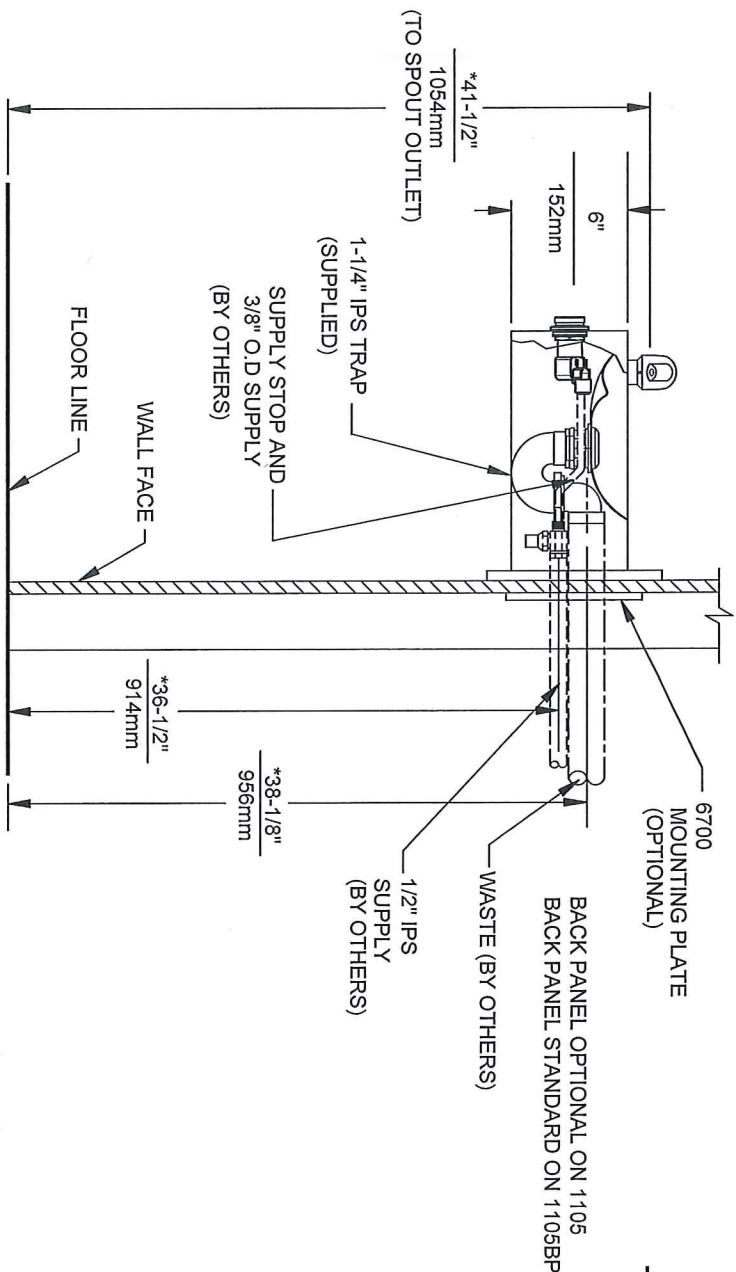
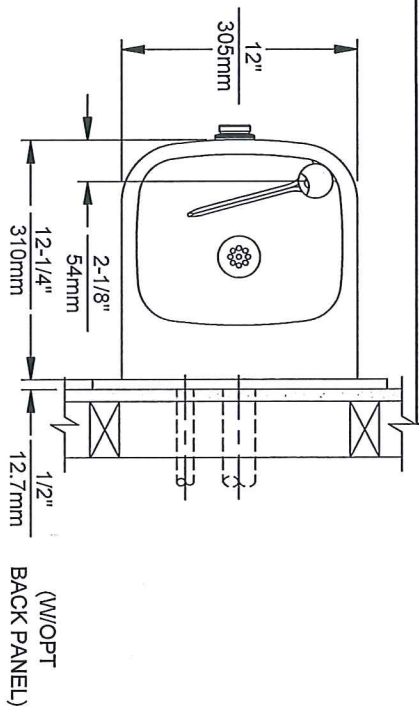
ECN NO.	REVISED PER	BY
ECN: 4828		HM
DRAWN	DATE	CHKD
F. VASQUEZ	2/10/98	
APPROVED	DATE	
	2/26/13	

MODEL(S)

1105/1105BP

PART NUMBER
0002076524
DRAWING NO.
13374C00
REV
16

SCALE: 1:1	DRAWING TYPE: PARTS BREAKDOWN	SIZE: A	SHEET 1 OF 1
------------	-------------------------------	---------	--------------



**NOTES:**

1. HOLD ROUGH-IN DIMENSIONS ± 1/4" (6.4mm).
2. WHEN INSTALLING THIS UNIT LOCAL STATE OR FEDERAL CODES SHOULD BE ADHERED TO. FOR INSTALLATION HEIGHTS OTHER THAN SHOWN, DIMENSIONS MARKED (\*) MUST BE ADJUSTED ACCORDINGLY.
3. REFER TO 587ASS OPERATION AND MAINTENANCE MANUAL FOR PUSH BUTTON AND VALVE INSTALLATION/MAINTENANCE INSTRUCTIONS.

		1455 KLEPPE LANE	
SPARKS, NEVADA 89431		(775) 359-4712 FAX (755) 359-7424	
E-MAIL: HAWS@HAWS.CO.COM		WEBSITE: WWW.HAWS.CO.COM	
EGN NO. REVISED PER BY:	MODEL(S)	PART NUMBER	
CON: 4028 LHM	1105/1105BP	0002076524.D	
DATE: 08/21/13		DRAWING NO.	REV
F. VASQUEZ: 4987		13527A00	16
APPROVED: 08/21/13	SCALE: 1:1	DRAWING TYPE: INSTALLATION	SHEET 1 OF 1