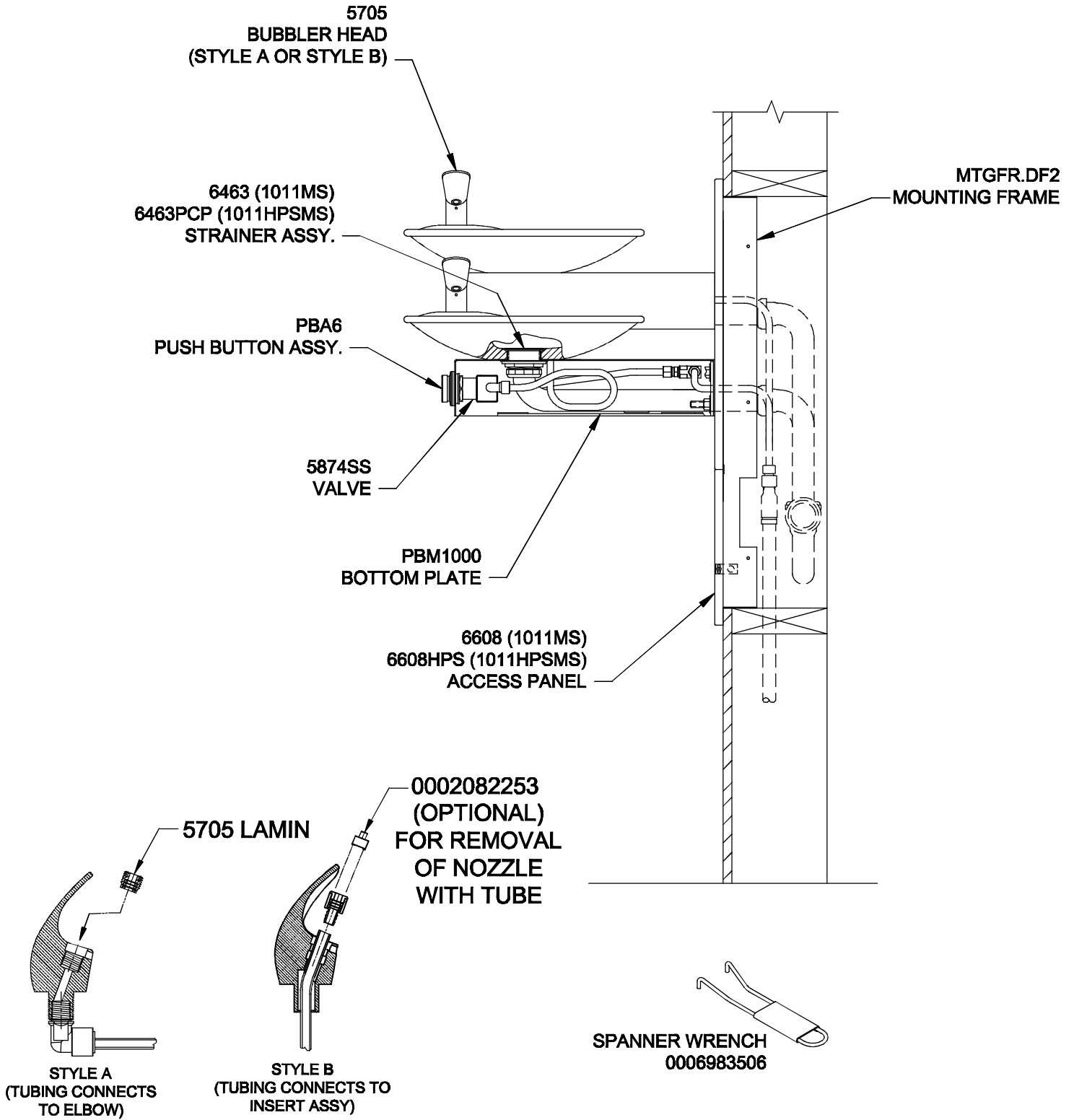


PARTS BREAKDOWN



FOUNTAIN COULD HAVE EITHER STYLE

DETAIL A
ROTATED INTO VIEW

WHEN ORDERING PARTS PLEASE SPECIFY MODEL NUMBER.

		1455 KLEPPE LANE SPARKS, NEVADA 89431 (775) 358-4712 FAX (775) 358-7424 E-MAIL: HAWS@HAWS.CO.COM WEBSITE: WWW.HAWS.CO.COM	
		ECN NO. REVISED PER BY ECN: 4828 HM	MODEL(S) 1011HPSMS/1011MS DRINKING FOUNTAIN
DRAWN PM APPROVED	DATE 08/02/98 DATE	DRAWING NO. 14220C00	REV 9
SCALE: 1:8		DRAWING TYPE: PARTS BREAKDOWN	
		SIZE: A SHEET 1 OF 1	