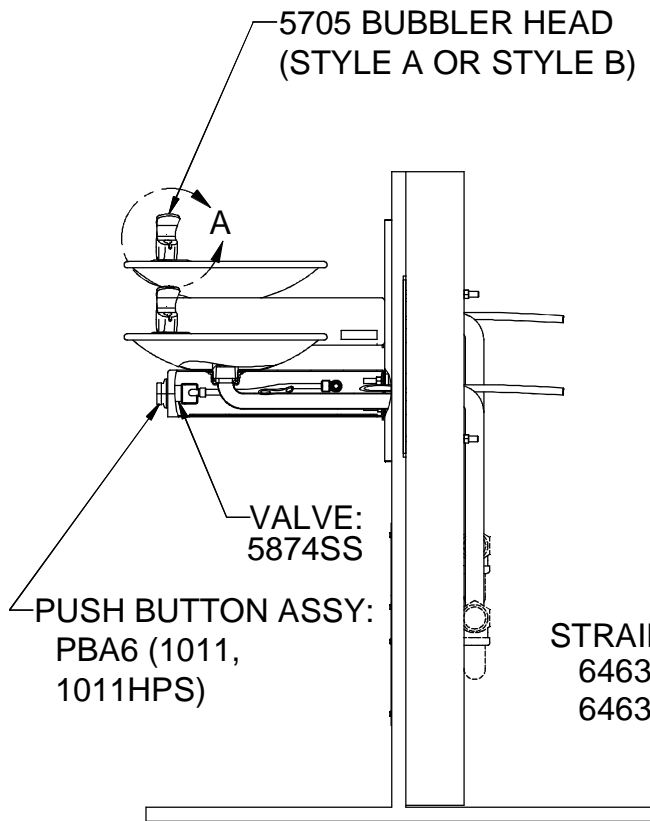


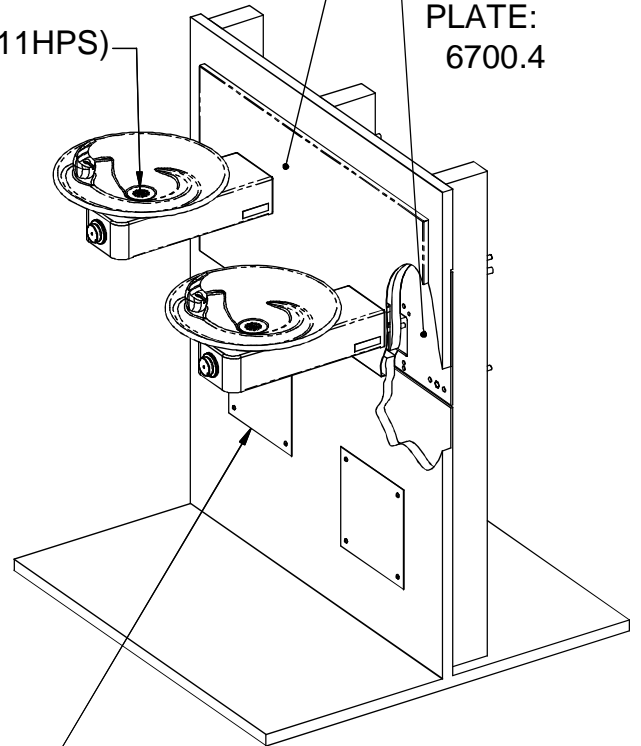
PARTS BREAKDOWN



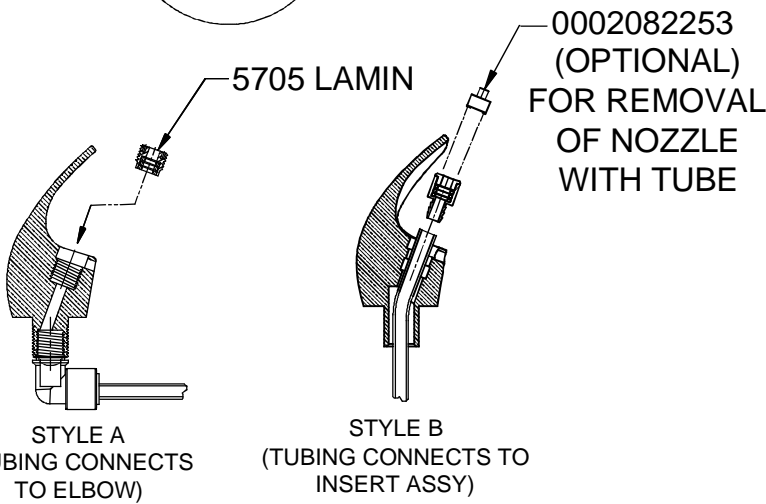
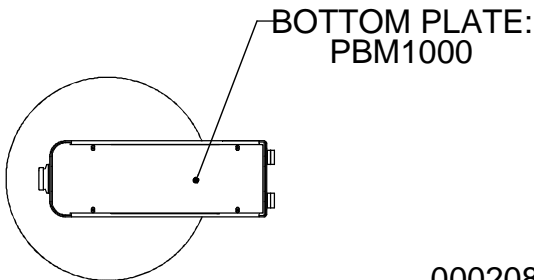
BACK PANEL:
0004012000 (1011)
0004012023 (1011HPS)

STRAINER:
6463 (1011)
6463PCP (1011HPS)

MOUNTING
PLATE:
6700.4



TRAP ACCESS PANEL (OPTIONAL):
6603 (1011)
6603HPS (1011HPS)



FOUNTAIN COULD HAVE EITHER STYLE

DETAIL A
ROTATED 90° INTO VIEW



1455 KLEPPE LANE
SPARKS, NEVADA 89431
(775) 359-4712 FAX (775) 359-7424
E-MAIL: HAWS@HAWS.CO.COM
WEBSITE: WWW.HAWS.CO.COM

ECN NO.	REVISED PER	BY:	MODEL(S)	PART NUMBER:
	ECN: 4797	HM	1011/1011HPS	0002076520
DRAWN:	DATE:	CHKD:	DRINKING FOUNTAIN	DRAWING NO.:
RM	10/19/98			15991A00
APPROVED:	DATE:		SCALE: 1:1	REV. 17
			DRAWING TYPE: PARTS BREAKDOWN	SIZE: A SHEET 1 OF 1

WHEN ORDERING PARTS PLEASE SPECIFY YOUR MODEL NUMBER