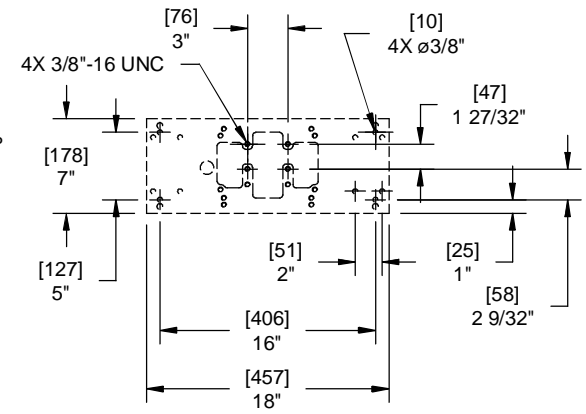
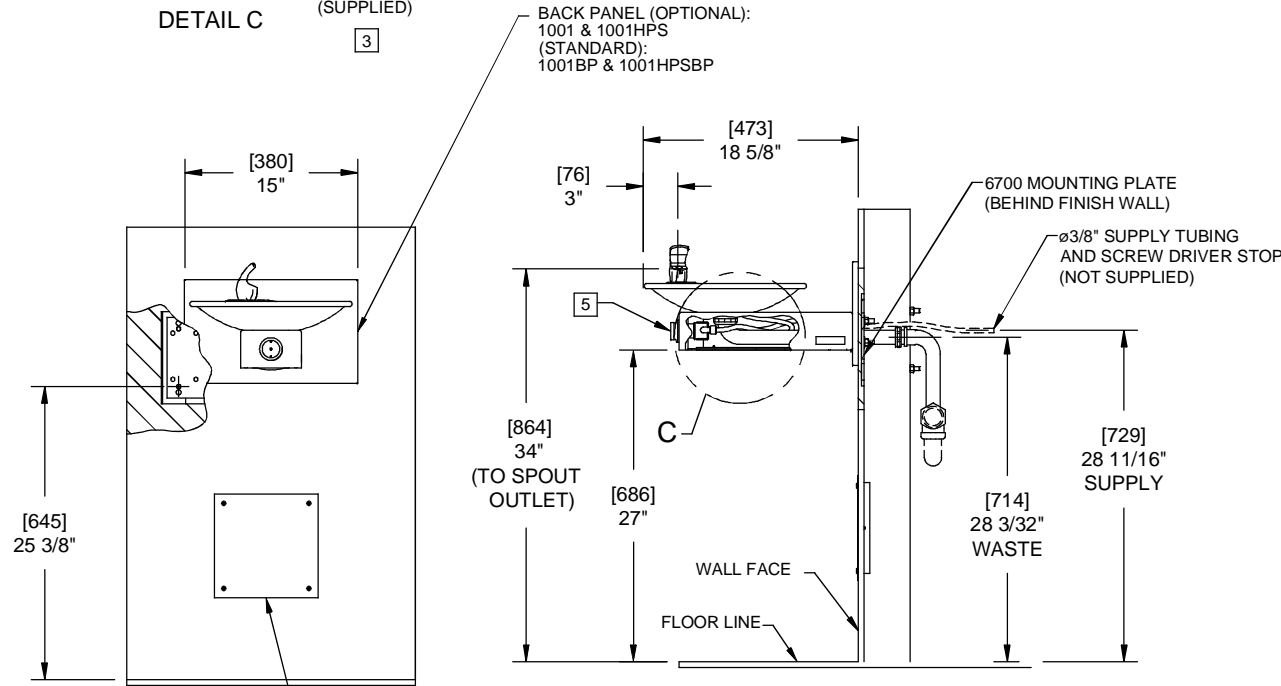
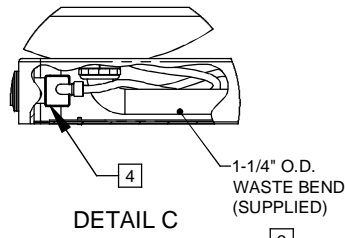
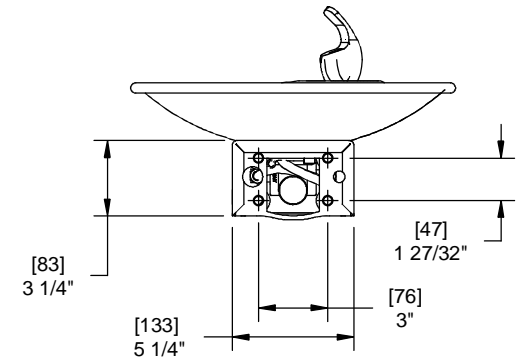
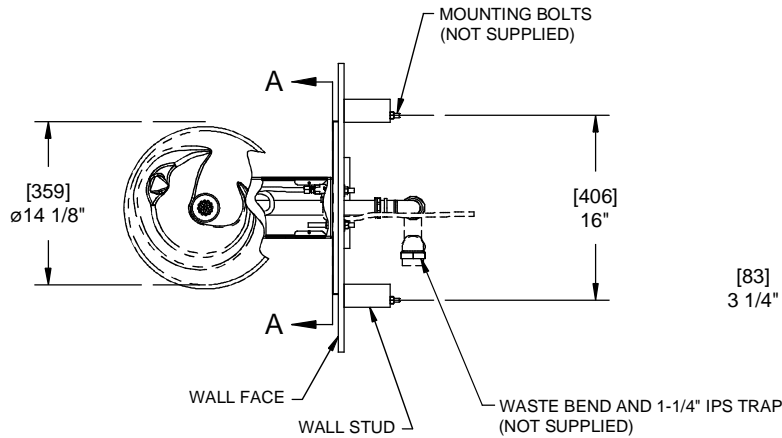


NOTES:

1. HOLD ROUGH-IN DIMENSIONS $\pm 1/8"$ (3.2mm).
2. WHEN INSTALLING THIS UNIT, LOCAL, STATE, OR FEDERAL CODES SHOULD BE ADHERED TO FOR INSTALLATION DIMENSIONS (LOCATIONS), WASTE AND SUPPLY REQUIREMENTS OTHER THAN SHOWN.
3. INSTALLER MUST PROVIDE TRAP FOR PROPER INSTALLATION.
4. REMOVE VALVE FROM PUSH BUTTON TO INSTALL WASTE ELBOW ONTO BOWL. AFTER WASTE ELBOW IS INSTALLED, REINSTALL VALVE AND ADJUST FLOW.
5. REFER TO 5874SS OPERATION AND MAINTENANCE MANUAL FOR PUSH BUTTON AND VALVE INSTALLATION/MAINTENANCE INSTRUCTIONS.



**6700 MOUNTING PLATE
MUST BE INSTALLED BEFORE
FINISH WORK. THIS PLATE IS A
STANDARD ITEM.**

OPTIONAL TRAP ACCESS PANEL
MODELS 6603 AND 6603HPS

		1455 KLEPPE LANE SPARKS, NEVADA 89431 (775) 359-4712 FAX (775) 359-7424 E-MAIL: HAWS@HAWS.CO.COM WEBSITE: WWW.HAWS.CO.COM	
		ECN NO. REVISED PER BY: ECN: 4828 HM	MODEL(S) 1001/1001BP/1001HPS/1001HPSBP DRINKING FOUNTAIN
DRAWN: RTM	DATE: 05/97	CHKD.:	SCALE: 1:1 DRAWING TYPE: INSTALLATION SIZE: A SHEET 1 OF 1
APPROVED:	DATE:	DATE:	DATE: