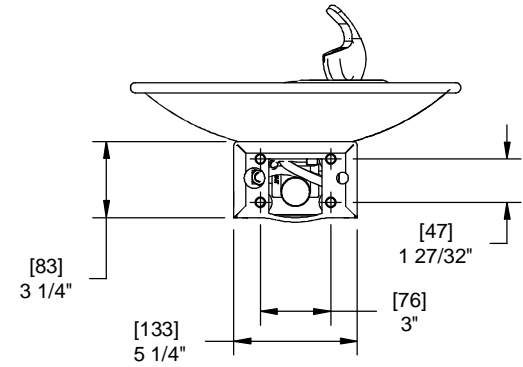
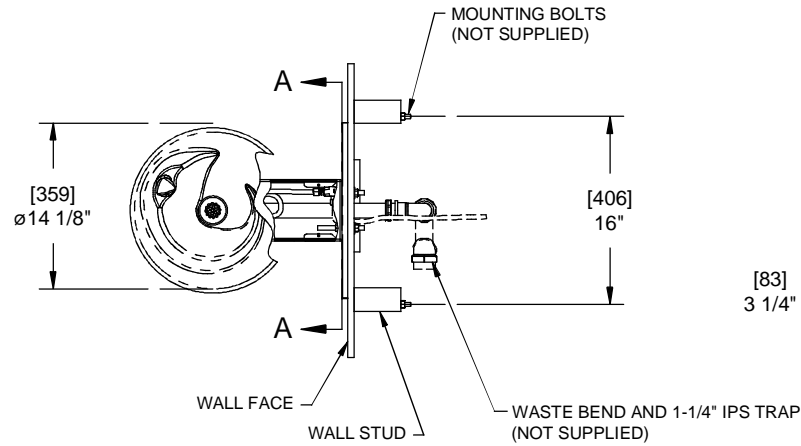
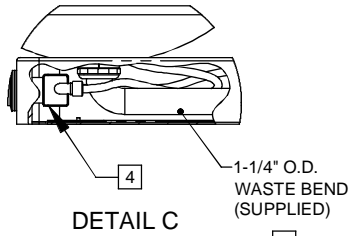


NOTES:

1. HOLD ROUGH-IN DIMENSIONS $\pm 1/8"$ (3.2mm).
2. WHEN INSTALLING THIS UNIT, LOCAL, STATE, OR FEDERAL CODES SHOULD BE ADHERED TO FOR INSTALLATION DIMENSIONS (LOCATIONS), WASTE AND SUPPLY REQUIREMENTS OTHER THAN SHOWN.
3. INSTALLER MUST PROVIDE TRAP FOR PROPER INSTALLATION.
4. REMOVE VALVE FROM PUSH BUTTON TO INSTALL WASTE ELBOW ONTO BOWL. AFTER WASTE ELBOW IS INSTALLED, REINSTALL VALVE AND ADJUST FLOW.
5. REFER TO 5874SS OPERATION AND MAINTENANCE MANUAL FOR PUSH BUTTON AND VALVE INSTALLATION/MAINTENANCE INSTRUCTIONS.

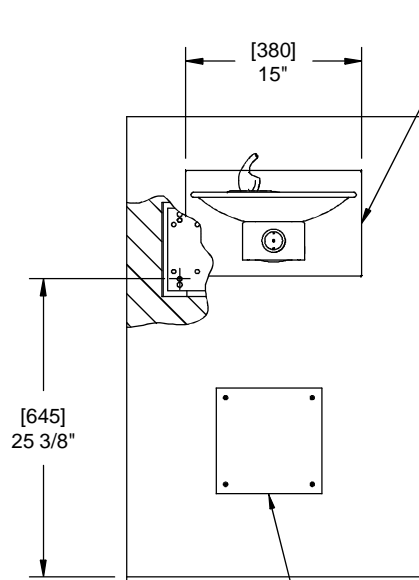


**SECTION A-A
ROTATED 90° INTO VIEW
BRACKET MOUNTING
DETAIL**

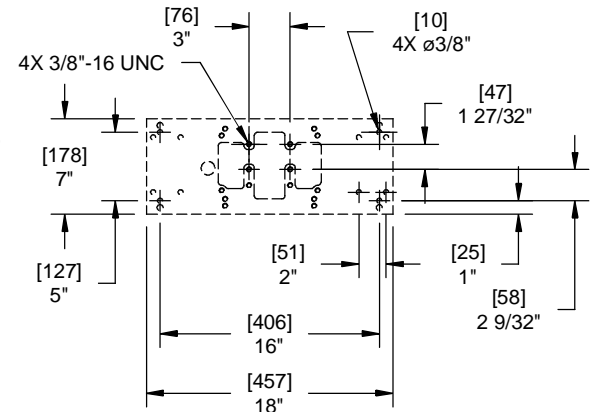
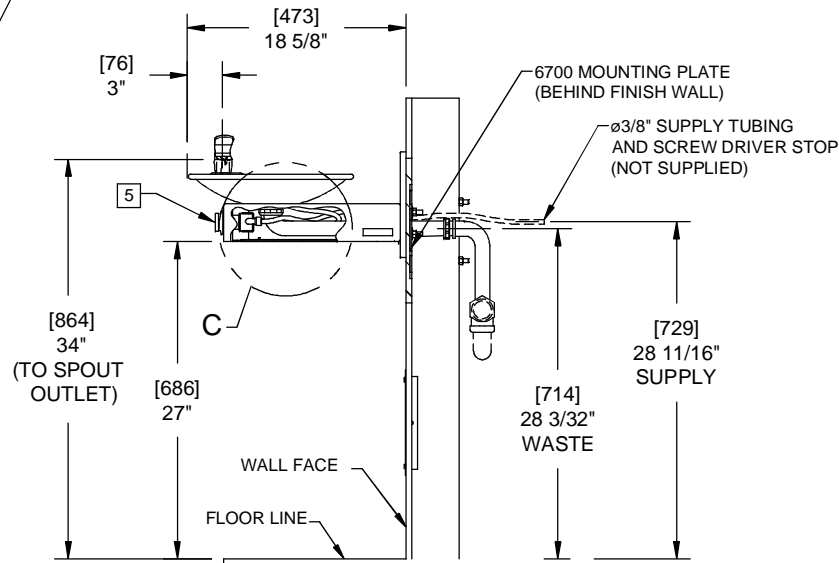


3

BACK PANEL (OPTIONAL):
1001 & 1001HPS
(STANDARD):
1001BP & 1001HPSBP



OPTIONAL TRAP ACCESS PANEL
MODELS 6603 AND 6603HPS



**6700 MOUNTING PLATE
MUST BE INSTALLED BEFORE
FINISH WORK. THIS PLATE IS A
STANDARD ITEM.**



1455 KLEPPE LANE
SPARKS, NEVADA 89431
(775) 359-4712 FAX (775) 359-7424
E-MAIL: HAWS@HAWS.CO.COM
WEBSITE: WWW.HAWS.CO.COM

ECN NO. REVISED PER BY:	MODEL(S)	PART NUMBER:
ECN: 4828 HM	1001/1001BP/1001HPS/1001HPSBP	0002076304.D
DRAWN: RTM	DATE: 05/97	CHKD.: []
APPROVED: []	DATE: []	REV. 17
SCALE: 1:1		DRAWING TYPE: INSTALLATION
SIZE: A		SHEET 1 OF 1

DRAWING NO. 15990A00